

2.54mm (0.1") I.D.C. Edge Card Connector

For 1.27mm(0.05") Center Flat Ribbon Cable

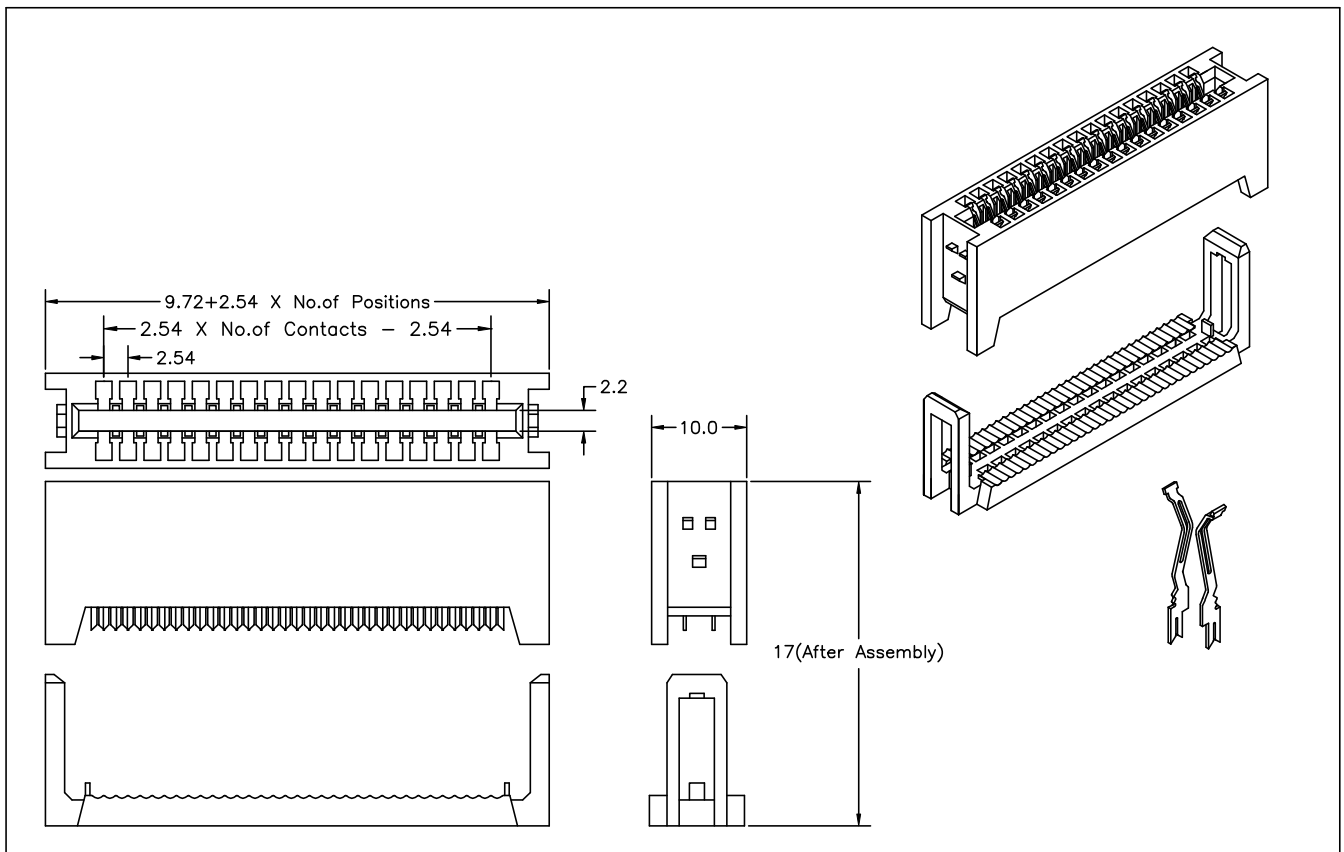
6806 Series

APPLICATION AND FEATURES

1. Mate with P.C.Board golden finger on 2.54mm pitch, double side contacts.
2. Selective gold plated on contact area.
3. Accept P.C.Board of thickness 1.4~1.6 mm.
4. Insulation displacement termination for 1.27mm(0.05") center flat ribbon cable.

SPECIFICATIONS

Current Rating:	3 Amps
Insulator resistance:	5000 Megohms min.
Contact resistance:	20 m ohm Max.
Dielectric withstanding:	AC 500 V
Operating Temperature:	-40° to +105°C
Contact Material:	0.25mm thick Phosphor bronze or Bronze
	◎Standard: Phosphor bronze
Insulator Material:	Polyester, UL 94V-0
	◎Standard: P.B.T



Order Information 6806 Series

Example: 6806 - 34 - B - 02 - 0

Series No.	Number of Contacts	Pin Type	Contact Plating	W/ or W/O S.R
6806	10,14,16,20,26,34,40,44,50,56,60,62,64	Pin Material: Bronze <input type="checkbox"/> B Phosphor-Bronze <input type="checkbox"/> P	Tin Plated <input type="checkbox"/> 01 Gold Plated Flash <input type="checkbox"/> 02 10 μ" <input type="checkbox"/> 10 30 μ" <input type="checkbox"/> 30	Without Strain Relief <input type="checkbox"/> 0 With Strain Relief <input type="checkbox"/> 1