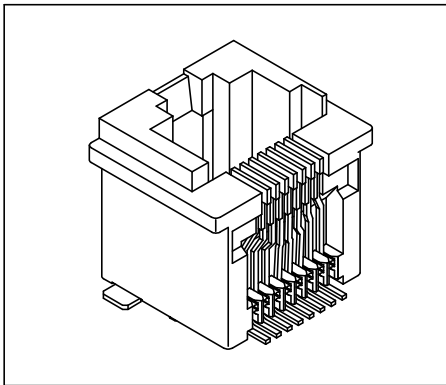


Top Entry SMT Type Modular Jack

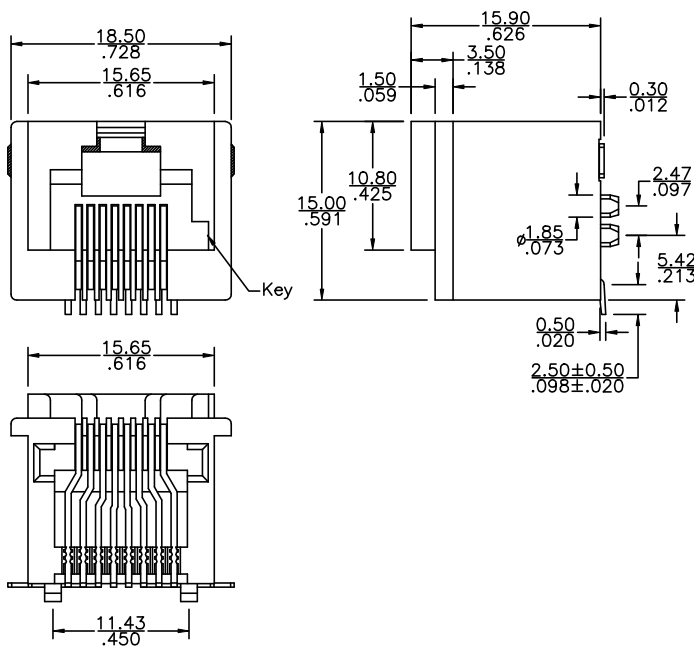
(Keyed)

3739 Series



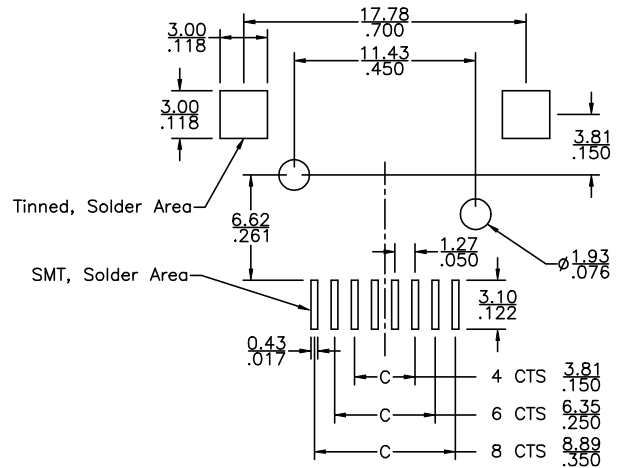
Material and Finish:

- * Housing: Standard Material: Glass Filled Polyester UL94V-0.
Standard Color: Black.
- * Contact: 0.35mm(0.014") Thickness Phosphor Bronze.
Gold Plating over Nickel.
Tin/Lead Plating in Solder Area.
- * Hold Down: 0.40mm(0.016") Thickness Copper Alloy.
Plated with Tin/Lead.
- * Cavity conforms to FCC rules and regulations part 68, subpart F.



8 Position

P.C.B. Hole Layout



Ordering Information

Series No.	No. of Position	No. of Contact	Keyed	Contact Plating
3739	8	8	1	1
	8	2	with key 1	6 μ " 1
		4		15 μ " 2
		6		30 μ " 3
		8		50 μ " 4

SINGATRON U.S.A. Tel: (909)464-1883 Fax: (909)464-1884 Email: sales@singatron.com