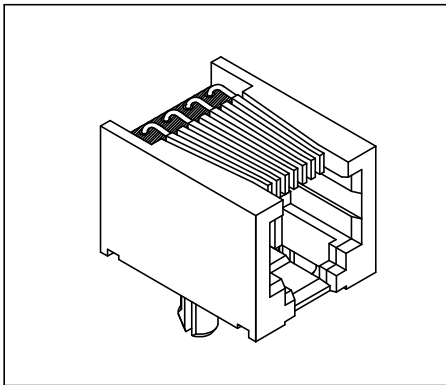


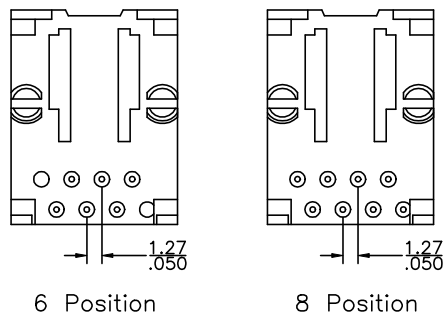
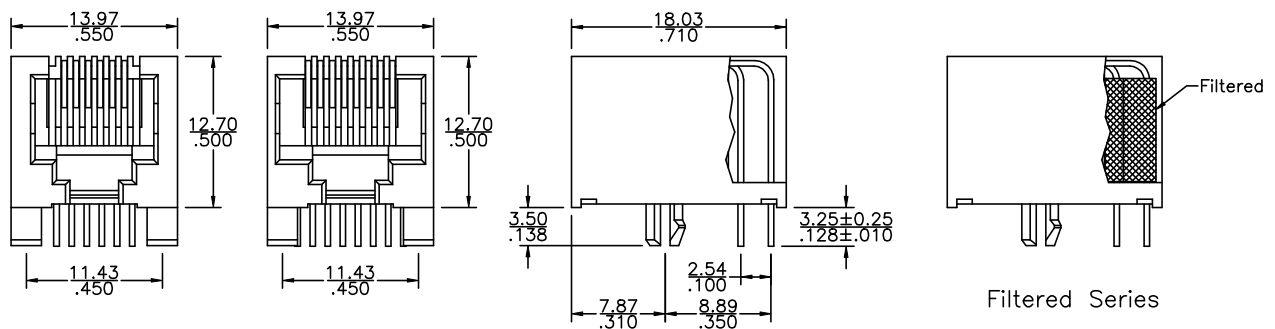
Side Entry Filtered Modular Jack

3721 Series

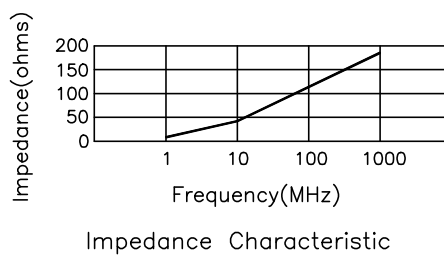
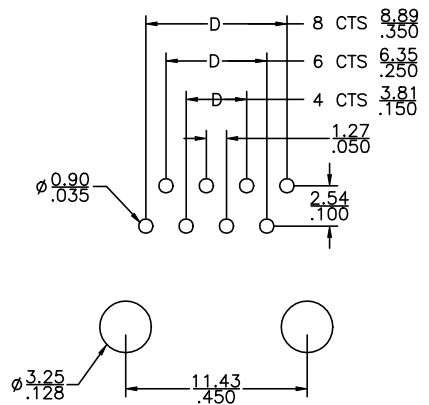


Material and Finish:

- * Housing: Standard Material:
 - Glass Filled Polyester UL94V-0.
 - Nylon Zytel FR-50 Heat Deflection Temp. 255°C.
- Standard Color: Black.
- * Contact: 0.45mm(0.018") Diameter Phosphor Bronze.
Gold Plating over Nickel.
- * Filter: High Impedance, High Resistivity, Ferrite Block.
- * Cavity conforms to FCC rules and regulations part 68, subpart F.



P.C.B. Hole Layout



Ordering Information

Series No.	No. of Position	No. of Contact	Filtered	Contact Plating
3721	8	8	1	1
	6	2	Filtered 1	6 μ" 1
	8	4	Filterless 2	15 μ" 2
		6		30 μ" 3
		8		50 μ" 4