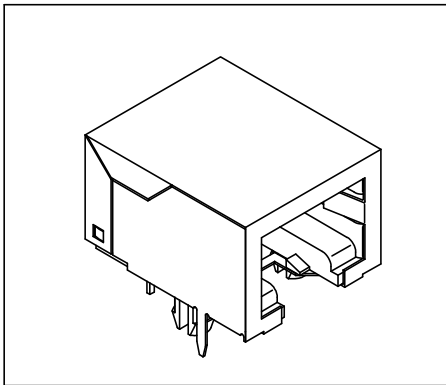


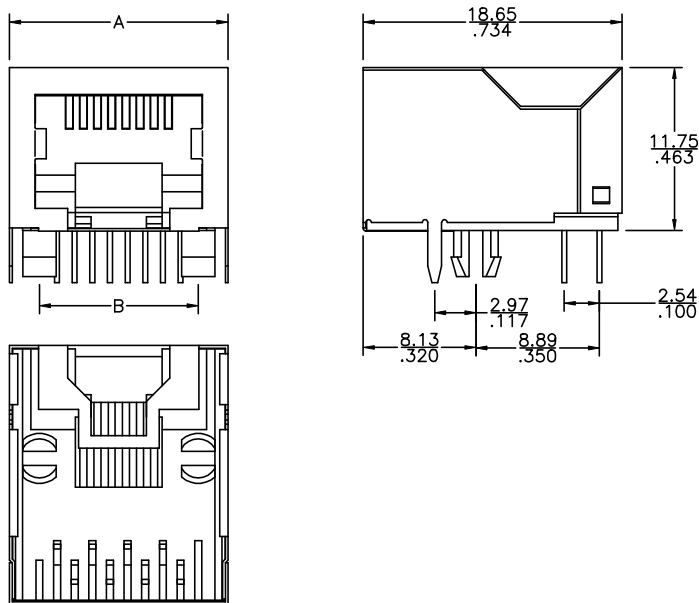
# Side Entry Very Low Profile P.C.Board Jack (Shielded)

3490S Series

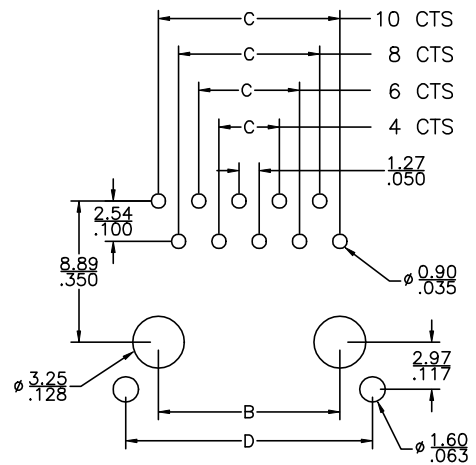


## Material and Finish:

- \* Housing: Standard Material: Glass Filled Polyester UL94V-0.  
Standard Color: Black.
- \* Contact: 0.35mm(0.014") Thickness Phosphor Bronze.  
Gold Plating over Nickel.  
Tin/Lead Plating in Solder Area.
- \* Shielded: 0.25mm(0.010") Thickness Copper Alloy,  
Plated with Nickel.
- \* Cavity conforms to FCC rules and regulations part 68,  
subpart F.



## P.C.B. Hole Layout



No. of Position	Dimension			
	A	B	C	D
6	13.56 .534	10.16 .400	6.35 .250	13.57 .534
8	15.74 .620	11.43 .450	8.89 .350	15.54 .612
10	15.74 .620	11.43 .450	11.43 .450	15.54 .612

## Ordering Information

Series No.	No. of Position	No. of Contact	Keyed	Contact Plating
3490S	8	8	2	1
	6	2	with key 1	6 μ" 1
	8	4	w/o key 2	15 μ" 2
	10	6		30 μ" 3
		8		50 μ" 4
		10		

SINGATRON U.S.A. Tel: (909)464-1883 Fax: (909)464-1884 Email: sales@singatron.com