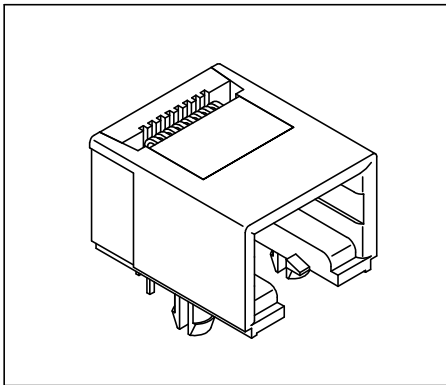


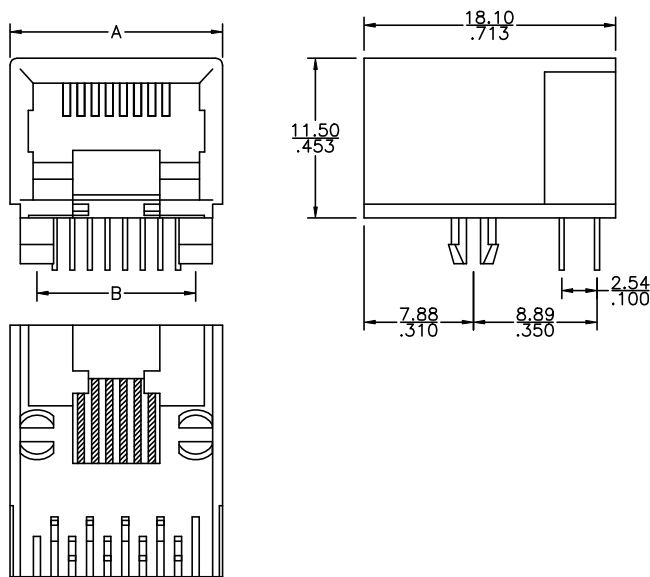
Side Entry Very Low Profile P.C.Board Jack

3490 Series

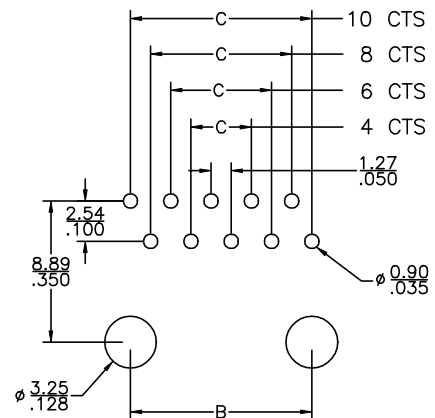


Material and Finish:

- * Housing: Standard Material: Glass Filled Polyester UL94V-0.
Standard Color: Black.
- * Contact: 0.35mm(0.014") Thickness Phosphor Bronze.
Gold Plating over Nickel.
Tin/Lead Plating in Solder Area.
- * Cavity conforms to FCC rules and regulations part 68,
subpart F.



P.C.B. Hole Layout



No. of Position	Dimension		
	A	B	C
4	11.21 .441	7.62 .300	3.81 .150
6	12.96 .510	10.16 .400	6.35 .250
8	15.30 .602	11.43 .450	8.89 .350
10	15.30 .602	11.43 .450	11.43 .450

Ordering Information

Series No.	No. of Position	No. of Contact	Keyed	Contact Plating
3490	8	8	2	1
	4	2	with key 1	6 μ " 1
	6	4	w/o key 2	15 μ " 2
	8	6		30 μ " 3
	10	8		50 μ " 4
		10		

SINGATRON U.S.A. Tel: (909)464-1883 Fax: (909)464-1884 Email: sales@singatron.com