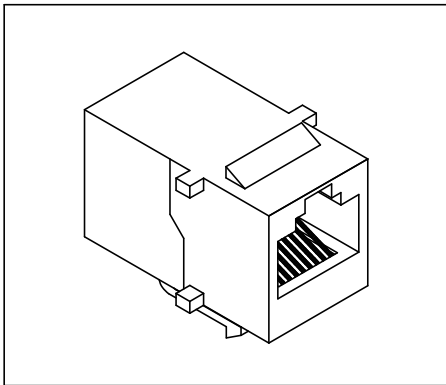


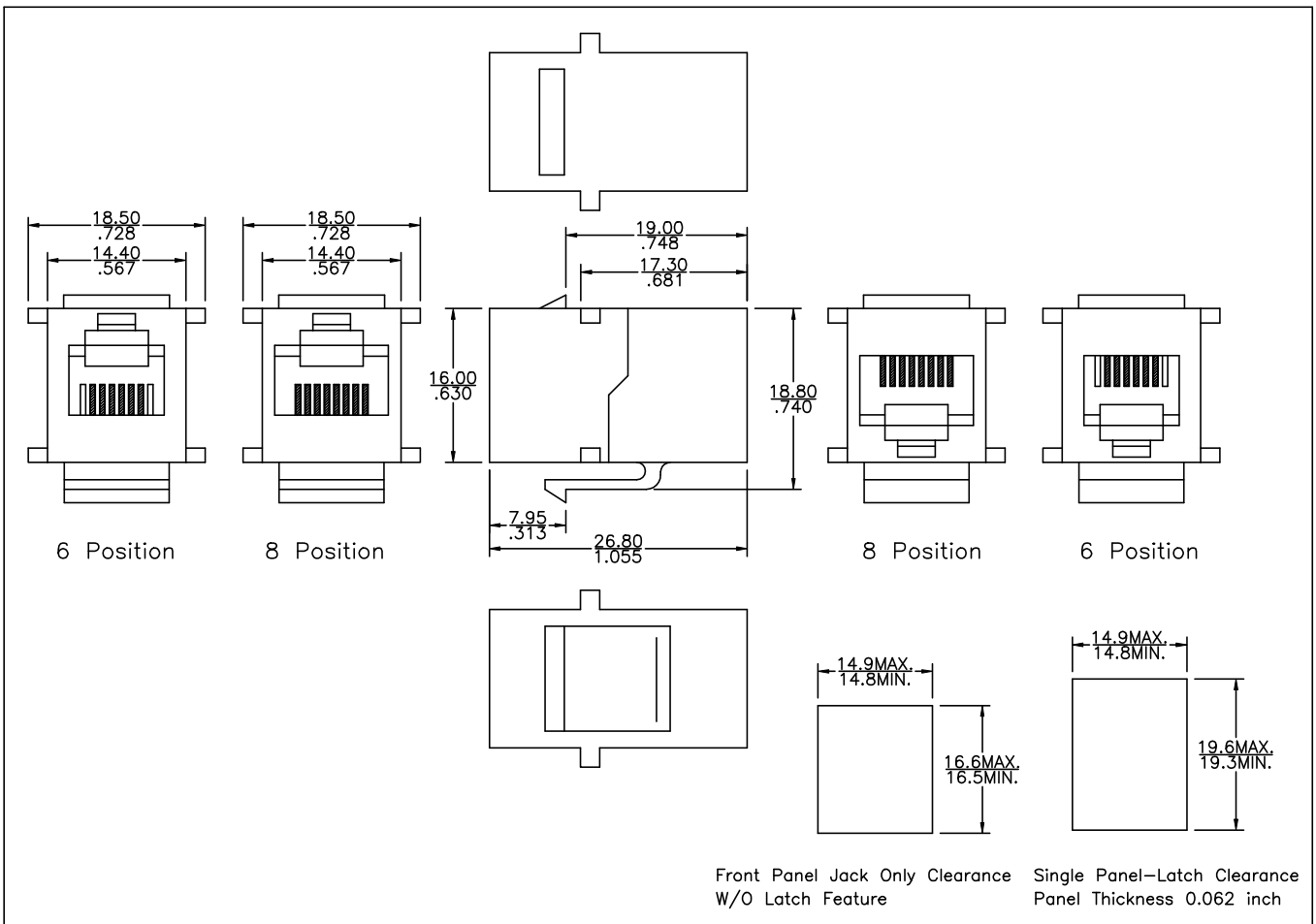
Modular Coupler Jack (Unshielded)

3101 Series



Material and Finish:

- * Housing: Standard Material: Glass Filled Polyester UL94V-0.
Standard Color: Black.
- * Contact: 0.35mm(0.014") Thickness Phosphor Bronze.
Gold Plating over Nickel.
- * Cavity confirms to FCC rules and regulations part 68,
subpart F.



Ordering Information

Series No.	No. of Position	No. of Contact	Keyed	Contact Plating	Color Option
3101	8	8	2	1	1
	6	2	w/o key	6 μ" 1	Black 1 White 2
	8	4		15 μ" 2	Ivory 3 Gray 4
		6		30 μ" 3	Yellow 5 Red 6
		8		50 μ" 4	Green 7 Blue 8

SINGATRON U.S.A. Tel: (909)464-1883 Fax: (909)464-1884 Email: sales@singatron.com