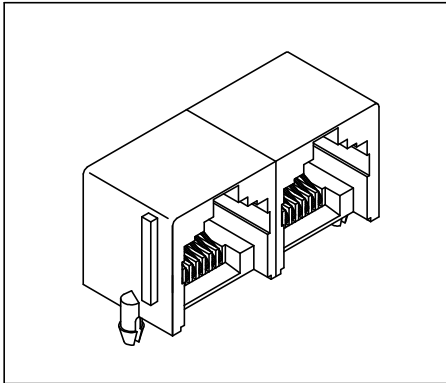


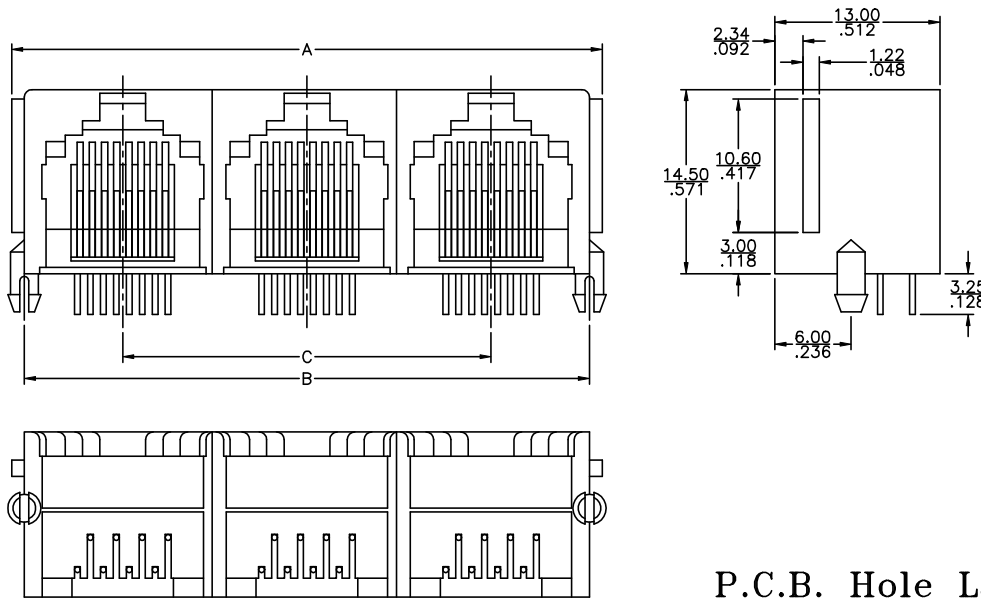
# Side Entry Gang Jack (8p Stackable)

3064 Series



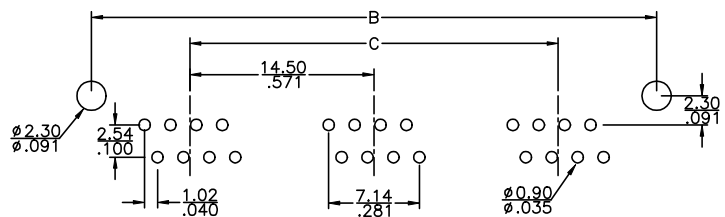
## Material and Finish:

- \* Housing: Standard Material: Glass Filled Polyester UL94V-0.  
Standard Color : Black.
- \* Contact: 0.45mm(.018") Diameter Phosphor Bronze,  
Gold Plating over Nickel.
- \* Cavity conforms to FCC rules and regulations part 68,  
subpart F.



## P.C.B. Hole Layout

$A = 14.5\text{mm} \times P + 2.5\text{mm}$   
 $B = 14.5\text{mm} \times P + 0.5\text{mm}$   
 $C = 14.5\text{mm} \times (P - 1)$   
 $P = \text{Number of Ports}$



## Ordering Information

Series No.	No. of Position	No. of Contact	Contact Plating	No. of Port
3064	8	8	1	02
<b>Unassembled</b>	8	2	6 $\mu$ " 1	02 & Up
Left Jack		4	15 $\mu$ " 2	
Middle Jack		6	30 $\mu$ " 3	
Right Jack		8	50 $\mu$ " 4	
<b>Assembled</b>	3064			

SINGATRON U.S.A. Tel: (909)464-1883 Fax: (909)464-1884 Email: sales@singatron.com