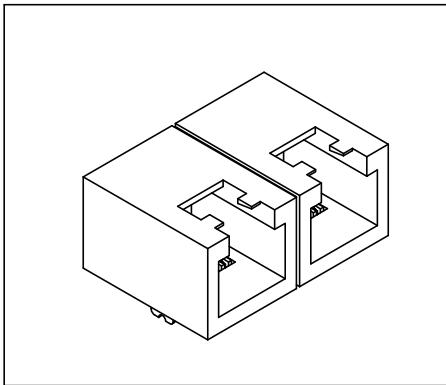


# Side Entry Telephone Modular Jack

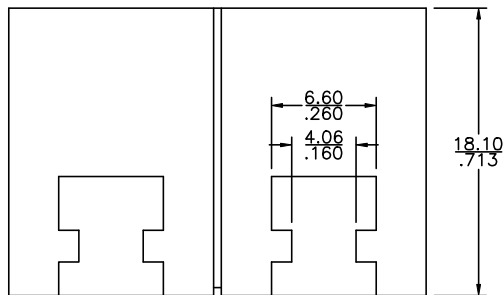
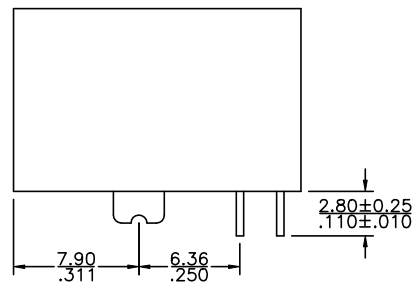
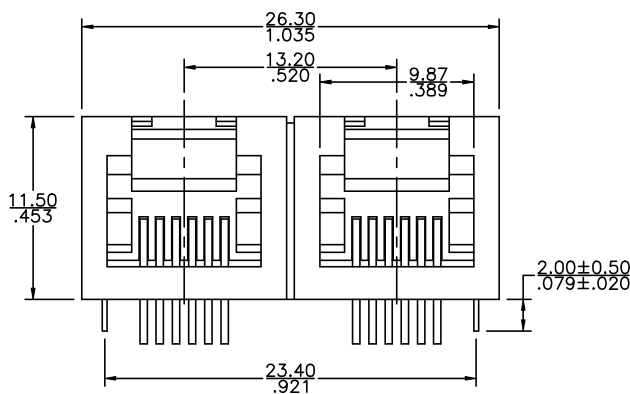
Metal Pegs

3045P Series

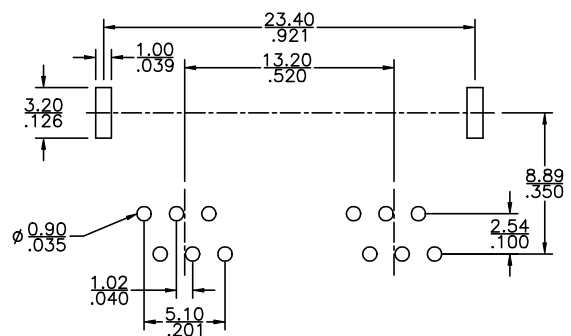


## Material and Finish:

- \* Housing: Standard Material: Glass Filled Polyester UL94V-0.  
Standard Color : Black.
- \* Contact: 0.45mm(0.018") Diameter Phosphor Bronze.  
Gold Plating over Nickel.
- \* Metal Pegs: 0.30mm(0.012") Thickness Copper Alloy,  
Plated with Tin-Lead.
- \* Cavity conforms to FCC rules and regulations part 68,  
subpart F.



## P.C.B. Hole Layout



## Ordering Information

Series No.	No. of Position	No. of Contact	Keyed	Contact Plating	No. of Ports
3045P	6	6	2	1	02
	6	2	w/o key 2	6 μ" 1	2 Ports 02
		4		15 μ" 2	
		6		30 μ" 3	
				50 μ" 4	