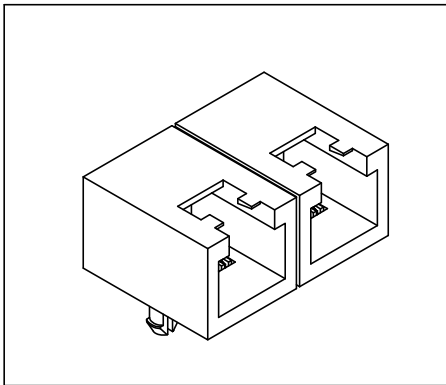


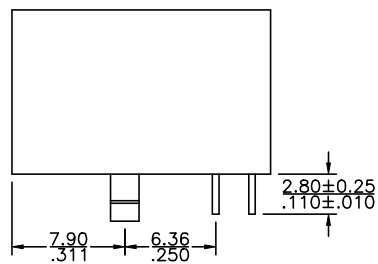
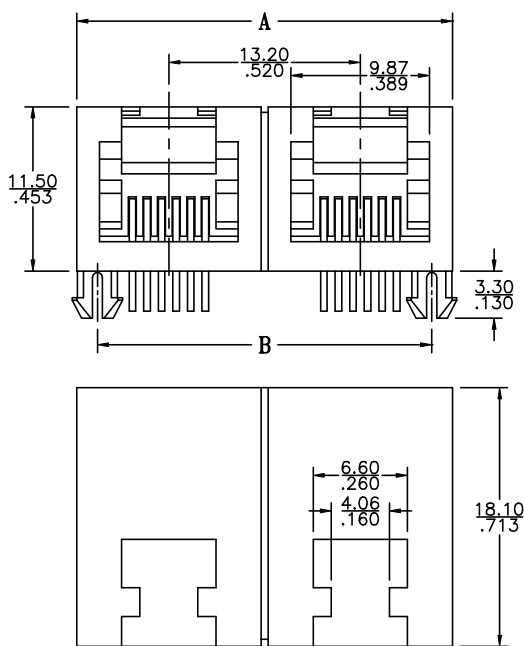
Side Entry Telephone Modular Jack

3045 Series

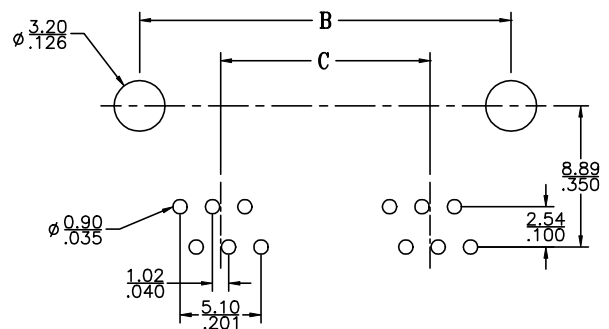


Material and Finish:

- * Housing: Standard Material: Glass Filled Polyester UL94V-0.
Standard Color : Black.
- * Contact: 0.45mm(0.018") Diameter Phosphor Bronze.
Gold Plating over Nickel.
- * Cavity conforms to FCC rules and regulations part 68,
subpart F.



P.C.B. Hole Layout



No. of Ports	Dimension		
	A	B	C
1	13.00 .512	10.16 .400	
2	26.30 1.035	23.40 .921	13.20 .520

Ordering Information

Series No.	No. of Position	No. of Contact	Keyed	Contact Plating	No. of Ports
3045	6	6	2	1	02
	6	2	w/o key 2	6 μ" 1	1 Port 01
		4		15 μ" 2	2 Ports 02
		6		30 μ" 3	
				50 μ" 4	