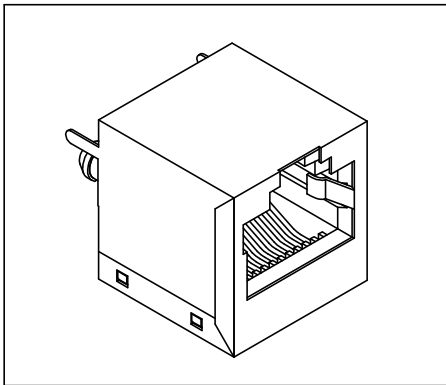


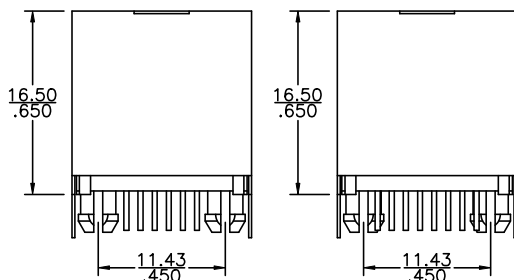
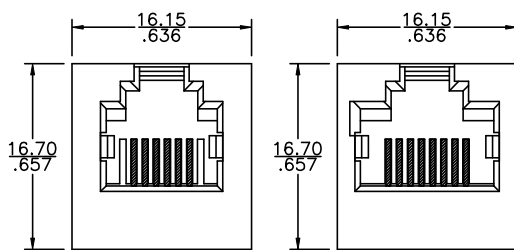
Top Entry Modular Telephone Jack (Shielded)

3028S Series



Material and Finish:

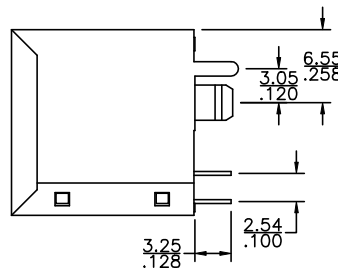
- * Housing: Standard Material: Glass Filled Polyester UL94V-0.
Standard Color: Black.
- * Contact: 0.35mm(0.014") Thickness Flat Phosphor Bronze.
Gold Plating over Nickel and Tin/Lead in Solder Area.
- * Shielded: 0.25mm(0.010") Thickness Copper Alloy,
Plated with Nickel.
- * Cavity conforms to FCC rules and regulations part 68,
subpart F.



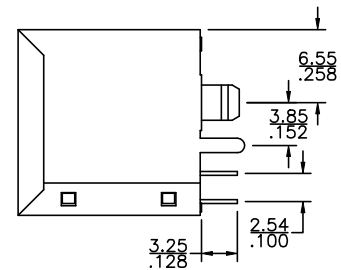
6 Position

8 Position

A Type

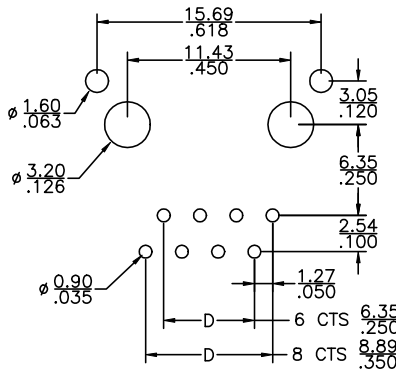


B Type

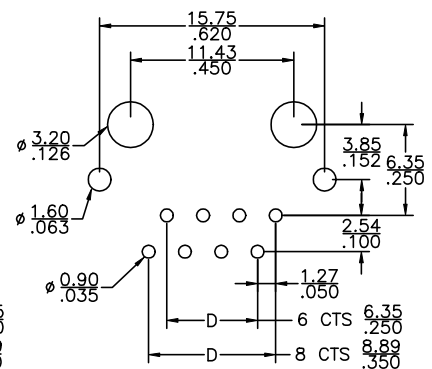


P.C.B. Hole Layout

A Type



B Type



Ordering Information

Series No.	No. of Position	No. of Contact	Keyed	Contact Plating	Shielded Pins Type
3028S	8	8	2	1	A
	6	2	w/o Key 2	6 μ" 1	3.05mm A
	8	4		15 μ" 2	3.85mm B
		6		30 μ" 3	
		8		50 μ" 4	

SINGATRON U.S.A. Tel: (909)464-1883 Fax: (909)464-1884 Email: sales@singatron.com