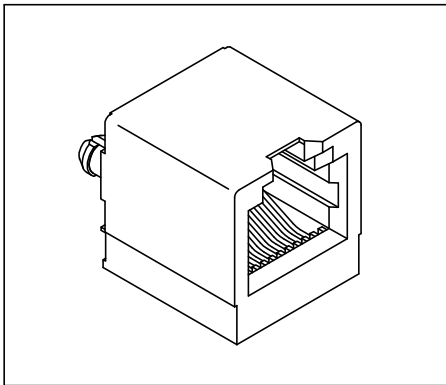


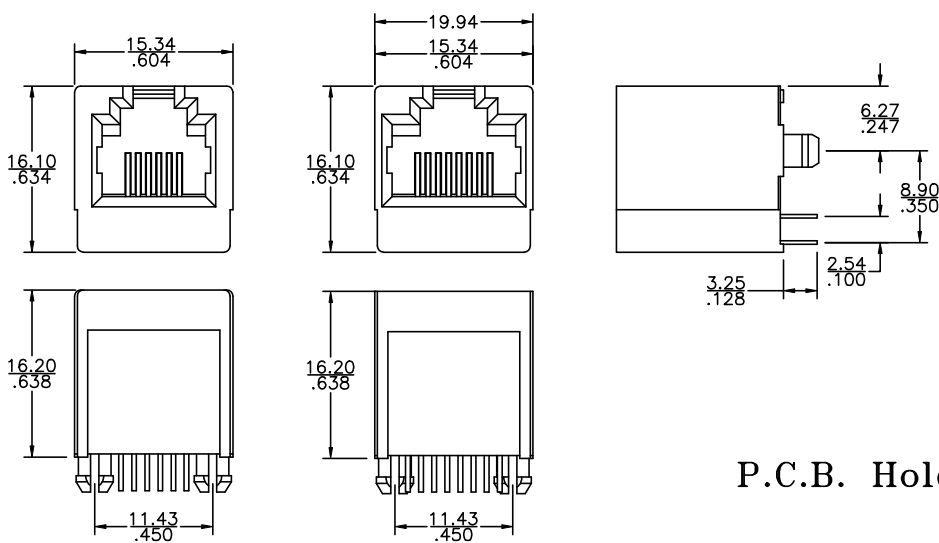
# Top Entry Modular Telephone Jack (Non-Shielded)

3028 Series



## Material and Finish:

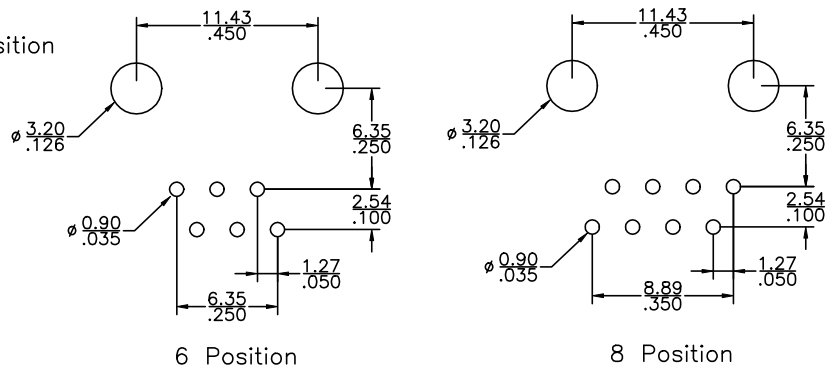
- \* Housing: Standard Material: Glass Filled Polyester UL94V-0.  
Standard Color: Black.
- \* Contact: 0.35mm Thickness Flat Phosphor Bronze.  
Gold Plating over Nickel and Tin/Lead in Solder Area.
- \* Cavity conforms to FCC rules and regulations part 68, subpart F.



## P.C.B. Hole Layout

6 Position

8 Position



6 Position

8 Position

## Ordering Information

Series No.	No. of Position	No. of Contact	Keyed	Contact Plating
3028	8	8	2	1
	6	2	w/o Key	6 $\mu$ "
	8	4		15 $\mu$ "
		6		30 $\mu$ "
		8		50 $\mu$ "