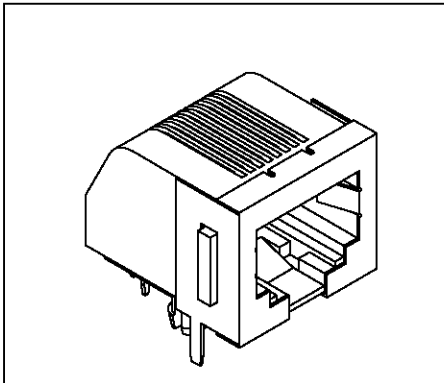


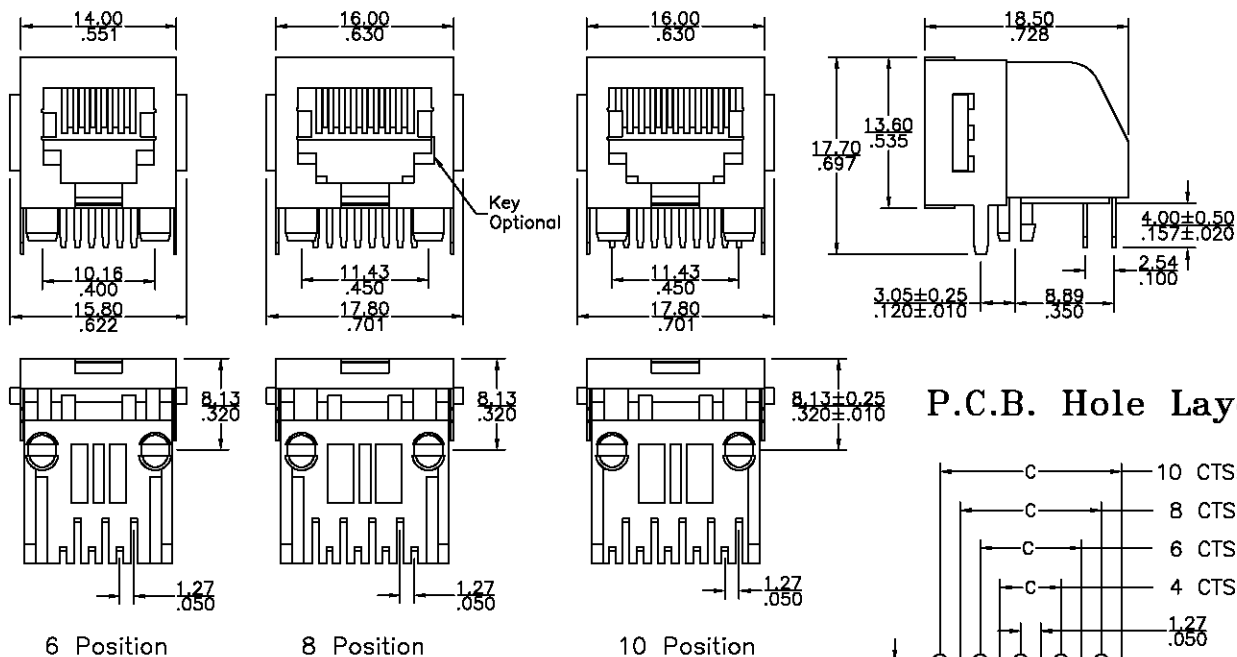
Side Entry Low Profile P.C.Board Jack (Shielded)

3019SF Series

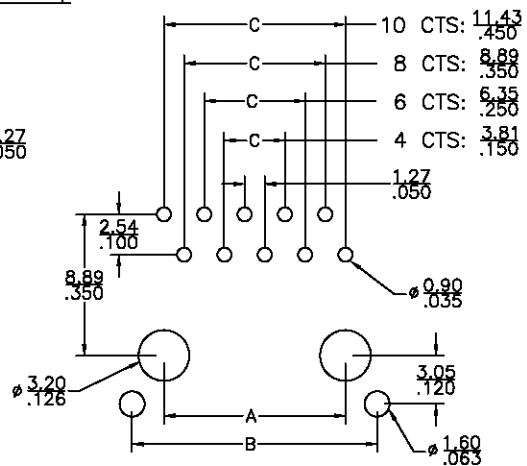


Material and Finish:

- * Housing: Standard Material: Glass Filled Polyester UL94V-0.
Standard Color: Black.
- * Contact: 0.35mm(0.014") Thickness Phosphor Bronze.
Gold Plating over Nickel.
Tin/Lead Plating in Solder Area.
- * Shielded: 0.25mm(0.010") Thickness Copper Alloy
Plated with Tin/Lead.
- * Cavity conforms to FCC rules and regulations part 68,
subpart F.



P.C.B. Hole Layout



No. of Positions	Dimension	
	A	B
6	10.16 .400	13.72 .540
8	11.43 .450	15.43 .607
10	11.43 .450	15.43 .607

Ordering Information

Series No.	No. of Position	No. of Contact	Keyed	Contact Plating
3019SF	8	8	2	1
	6	2	with key 1	6 μ" 1
	8	4	w/o key 2	15 μ" 2
	10	6		30 μ" 3
		8		50 μ" 4
		10		