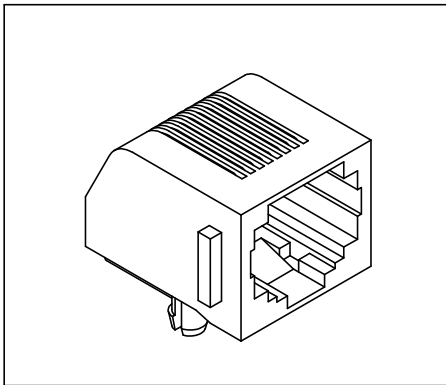


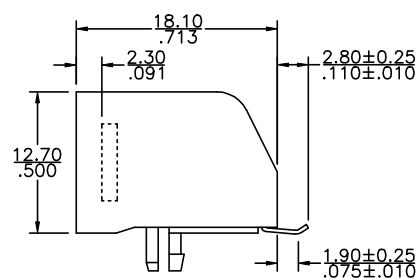
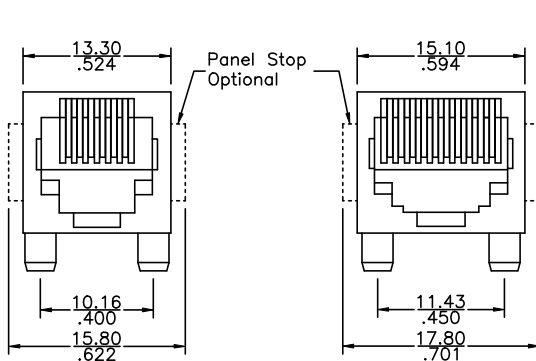
Side Entry Low Profile S.M.T. Type Jack

3019M Series

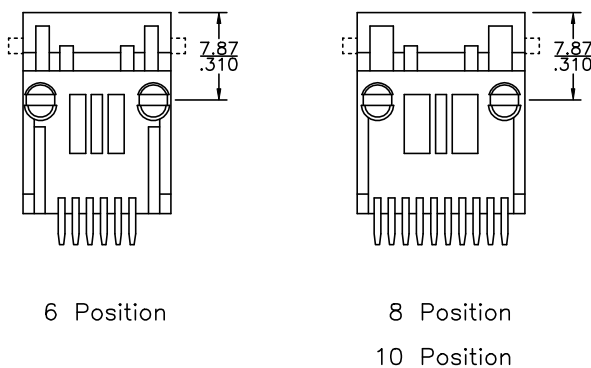


Material and Finish:

- * Housing: Standard Material: Glass Filled Polyester UL94V-0.
Standard Color: Black.
- * Contact: 0.35mm(0.014") Thickness Phosphor Bronze.
Gold Plating over Nickel.
Tin/Lead Plating in Solder Area.
- * Cavity conforms to FCC rules and regulations part 68,
subpart F.

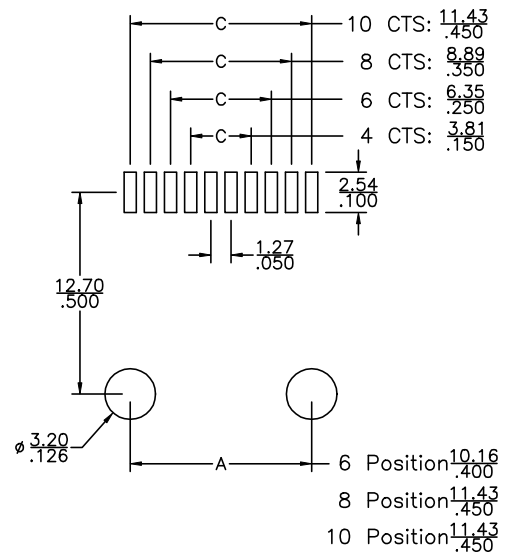


P.C.B. Hole Layout



6 Position

8 Position
10 Position



Ordering Information

Series No.	Panel Stop	No. of Position	No. of Contact	Keyed	Contact Plating
3019M	F	8	8	2	1
	with Panel Stop <input type="checkbox"/> F	<input type="checkbox"/> 6	<input type="checkbox"/> 2	with key <input type="checkbox"/> 1	6 μ" <input type="checkbox"/> 1
	w/o Panel Stop <input type="checkbox"/> L	<input type="checkbox"/> 8	<input type="checkbox"/> 4	w/o key <input type="checkbox"/> 2	15 μ" <input type="checkbox"/> 2
		<input type="checkbox"/> 10	<input type="checkbox"/> 6		30 μ" <input type="checkbox"/> 3
			<input type="checkbox"/> 8		50 μ" <input type="checkbox"/> 4
			<input type="checkbox"/> 10		

SINGATRON U.S.A. Tel: (909)464-1883 Fax: (909)464-1884 Email: sales@singatron.com