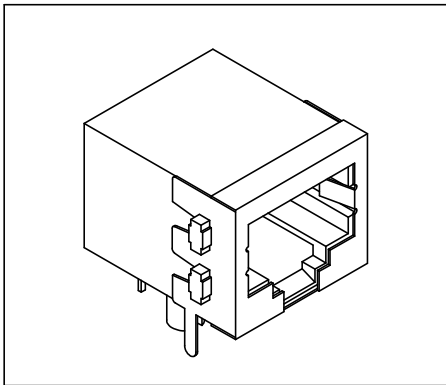


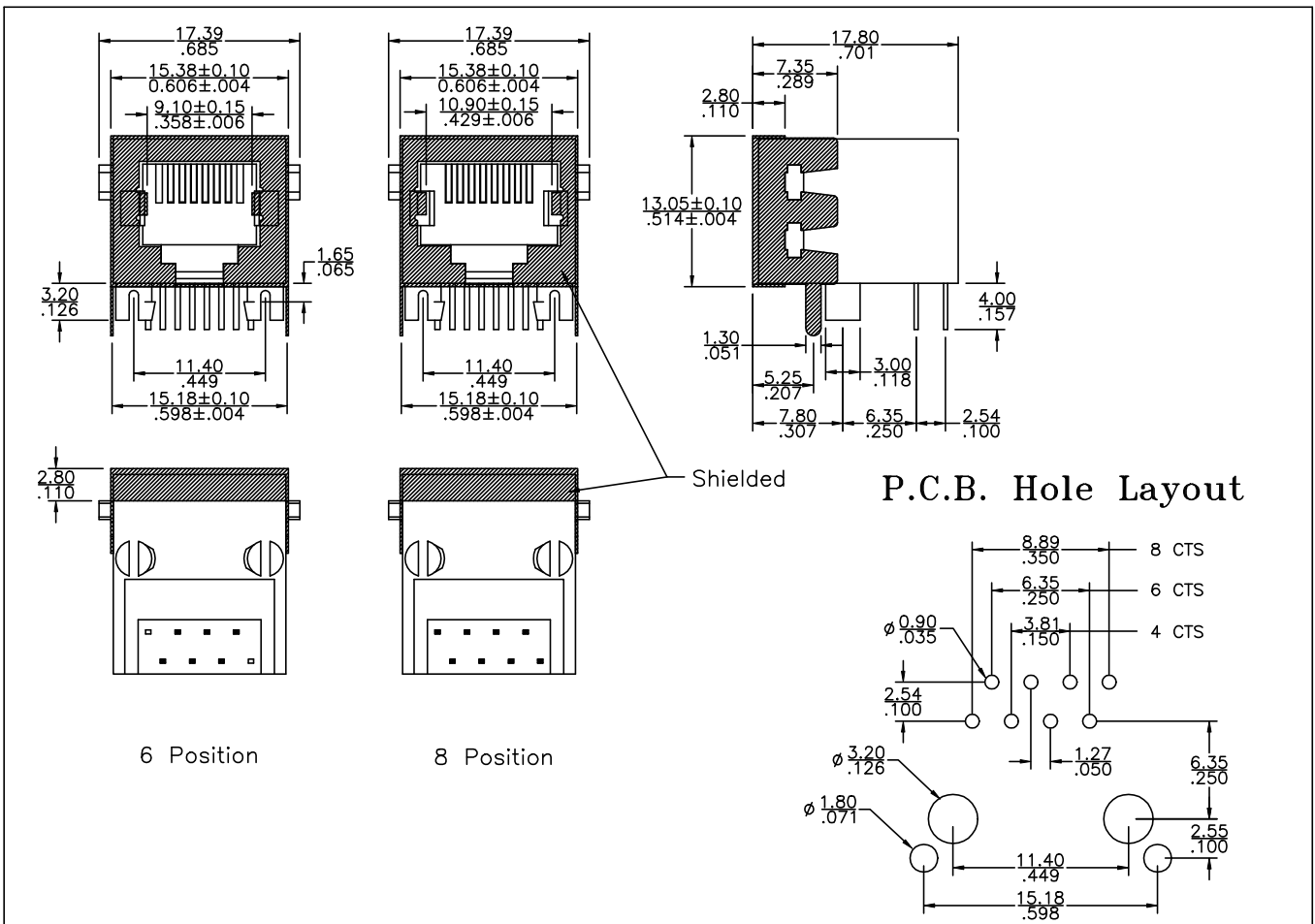
Side Entry Modular Telephone Jack (Shielded)

3018S Series



Material and Finish:

- * Housing: Standard Material: Glass Filled Polyester UL94V-0.
Standard Color : Black.
- * Contact: 0.35mm(0.014") Thickness Phosphor Bronze.
Gold Plating over Nickel and Tin/Lead Plating
in Solder Area.
- * Shielded: 0.20mm(0.008") Thickness Bronze,
Plated with Nickel.
- * Cavity conforms to FCC rules and regulations part 68,
subpart F.



Ordering Information

Series No.	No. of Position	No. of Contact	Keyed	Contact Plating
3018S	8	8	2	1
	6	2	w/o key	6 μ" 1
	8	4		15 μ" 2
		6		30 μ" 3
		8		50 μ" 4