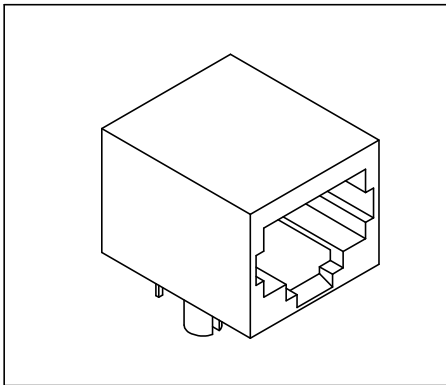


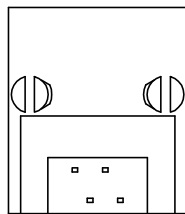
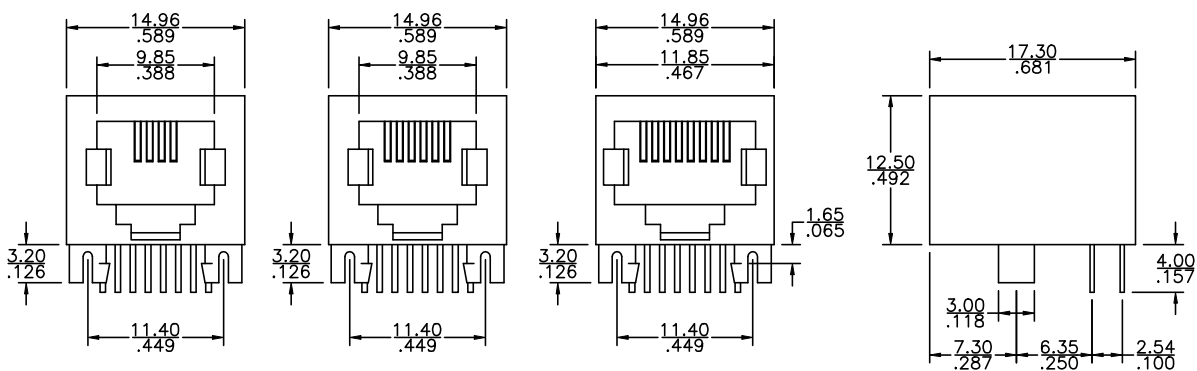
Side Entry Modular Telephone Jack (Unshielded)

3018 Series

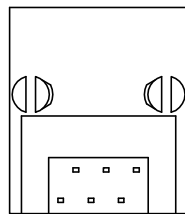


Material and Finish:

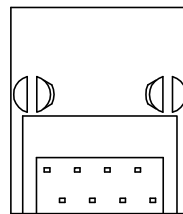
- * Housing: Standard Material: Glass Filled Polyester UL94V-0.
Standard Color : Black.
- * Contact: 0.35mm(0.014") Thickness Phosphor Bronze.
Gold Plating over Nickel and Tin/Lead Plating
in Solder Area.
- * Cavity conforms to FCC rules and regulations part 68,
subpart F.



4 Position

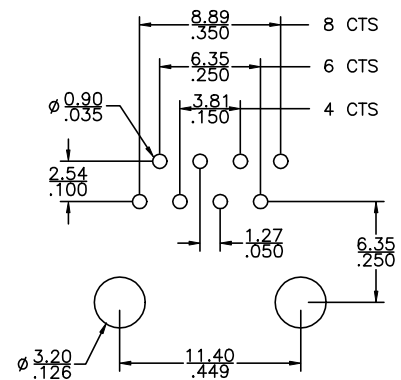


6 Position



8 Position

P.C.B. Hole Layout



Ordering Information

Series No.	No. of Position	No. of Contact	Keyed	Contact Plating
3018	8	8	2	1
	4	2	w/o key	6 μ " 1
	6	4		15 μ " 2
	8	6		30 μ " 3
		8		50 μ " 4