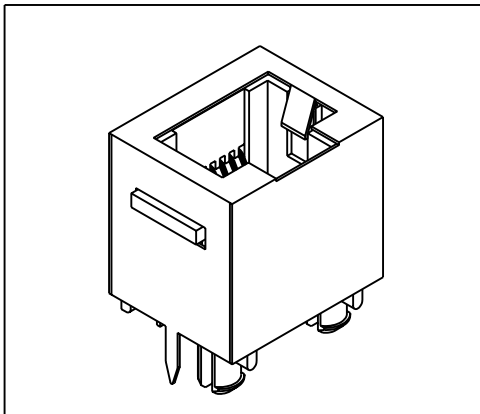


Top Entry Modular Telephone Jack

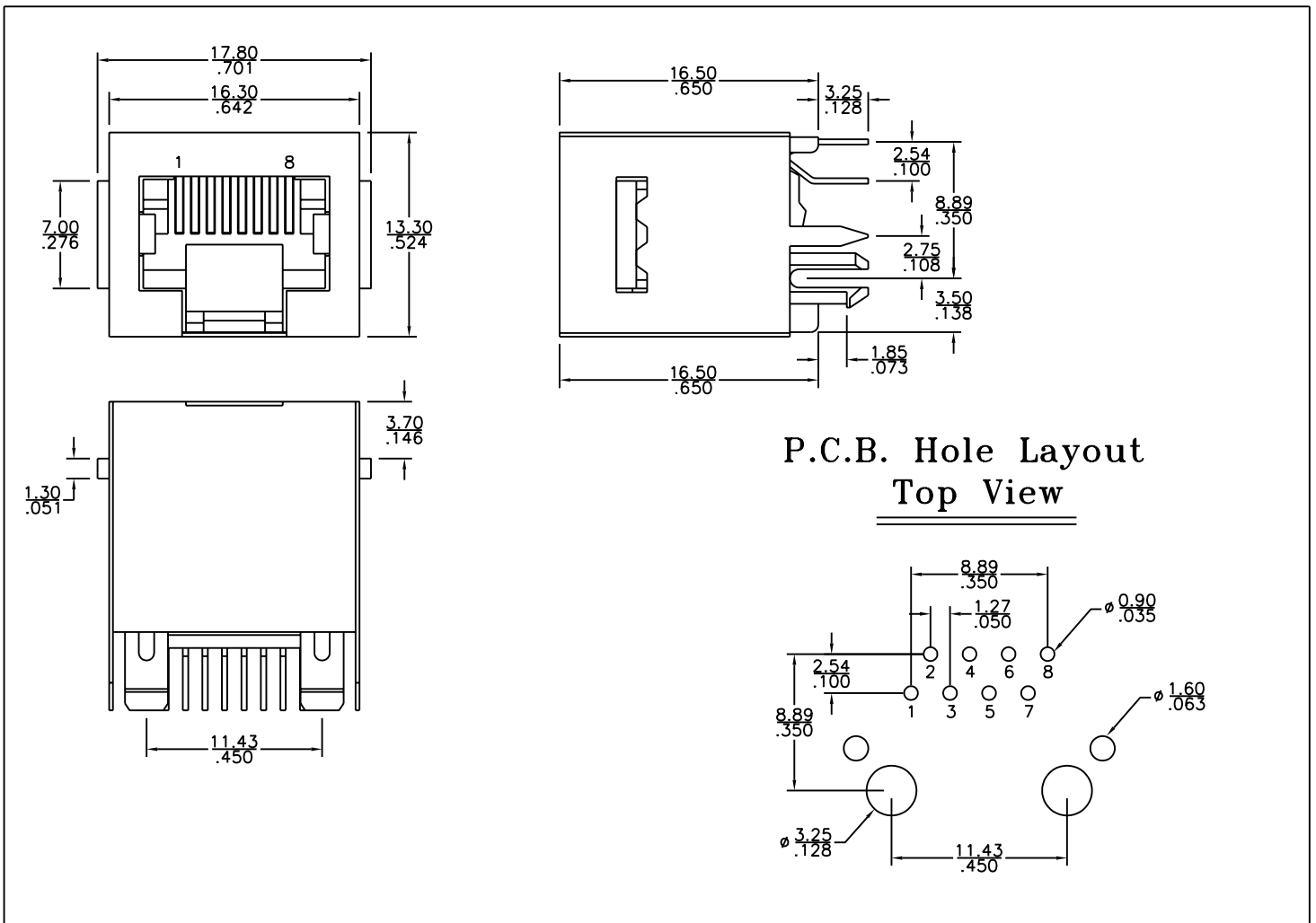
(Shielded)

3017S Series



Material and Finish:

- * Housing: Standard Material: Glass Filled Polyester UL94V-0.
Standard Color: Black.
- * Contact: 0.35mm(0.014") Thickness Phosphor Bronze.
Gold Plating over Nickel.
- * Shielded: 0.25mm(0.010") Thickness Copper Alloy,
Plated with Nickel.
- * Cavity conforms to FCC rules and regulations part 68,
subpart F.



Ordering Information

Series No.	Panel Stop	No. of Position	No. of Contact	Keyed	Contact Plating
3017S	F	8	8	1	1
	With Panel Stop <input type="checkbox"/> F	<input type="checkbox"/> 8	<input type="checkbox"/> 2 <input type="checkbox"/> 4 <input type="checkbox"/> 6 <input type="checkbox"/> 8	with key <input type="checkbox"/> 1 w/o key <input type="checkbox"/> 2	6 μ " <input type="checkbox"/> 1 15 μ " <input type="checkbox"/> 2 30 μ " <input type="checkbox"/> 3 50 μ " <input type="checkbox"/> 4