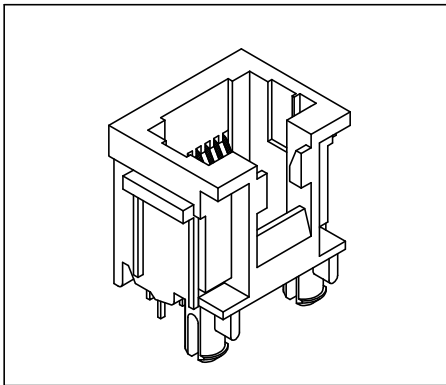


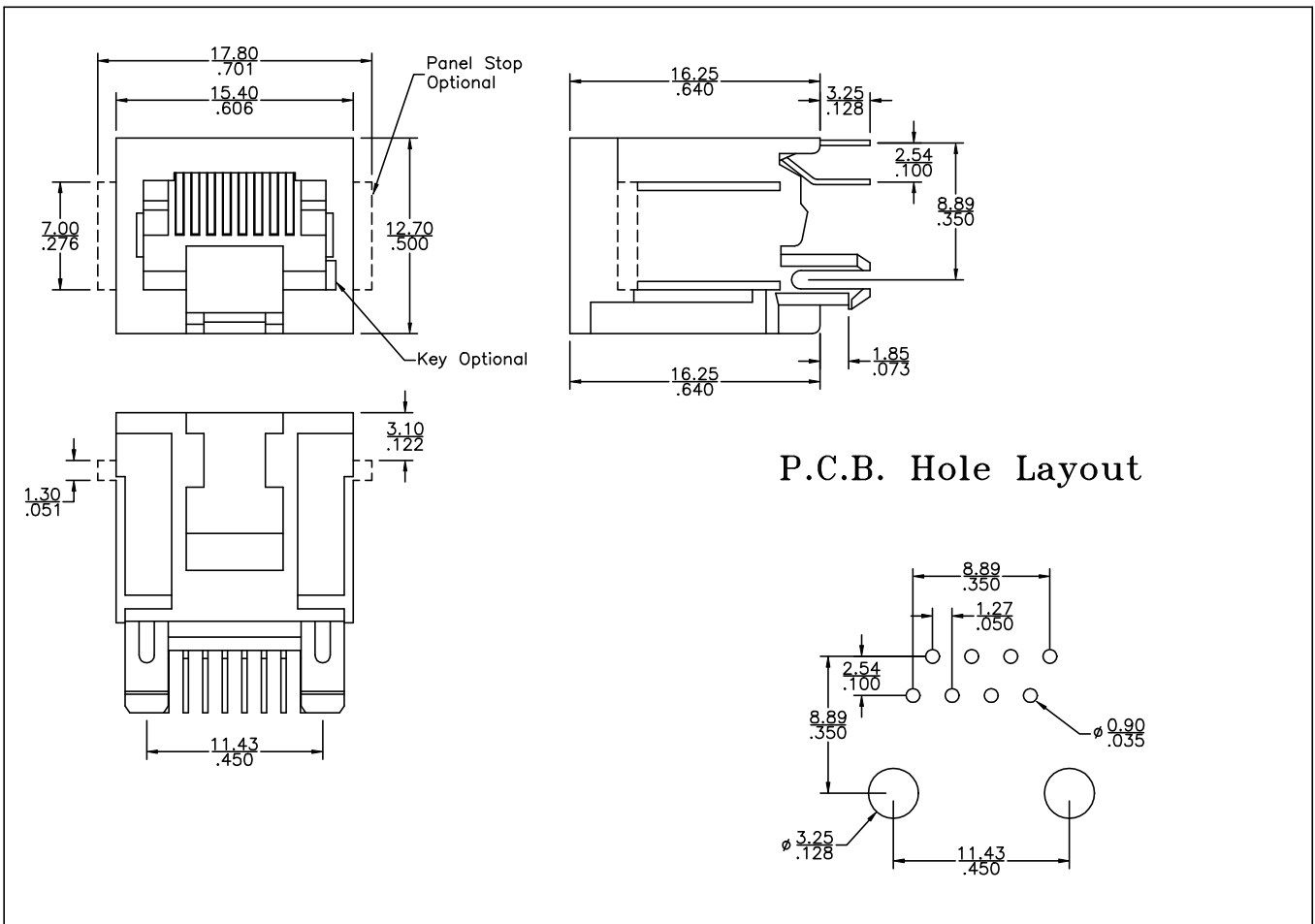
Top Entry Modular Telephone Jack

3017 Series



Material and Finish:

- * Housing: Standard Material: Glass Filled Polyester UL94V-0.
Standard Color: Black.
- * Contact: 0.35mm(0.014") Thickness Phosphor Bronze.
Gold Plating over Nickel.
- * Cavity confirms to FCC rules and regulations part 68,
subpart F.



Ordering Information

Series No.	Panel Stop	No. of Position	No. of Contact	Keyed	Contact Plating
3017	F	8	8	1	1
	With Panel Stop <input type="checkbox"/> F	<input type="checkbox"/> 8	<input type="checkbox"/> 2	with key <input type="checkbox"/> 1	6 μ" <input type="checkbox"/> 1
	w/o Panel Stop <input type="checkbox"/> L		<input type="checkbox"/> 4	w/o key <input type="checkbox"/> 2	15 μ" <input type="checkbox"/> 2
			<input type="checkbox"/> 6		30 μ" <input type="checkbox"/> 3
			<input type="checkbox"/> 8		50 μ" <input type="checkbox"/> 4

SINGATRON U.S.A. Tel: (909)464-1883 Fax: (909)464-1884 Email: sales@singatron.com