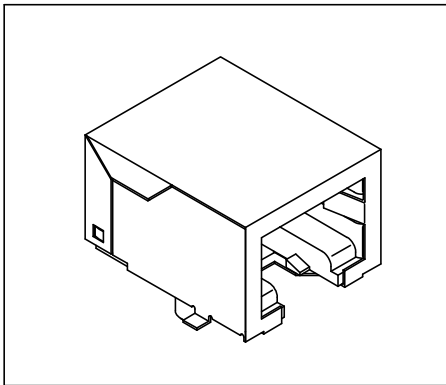


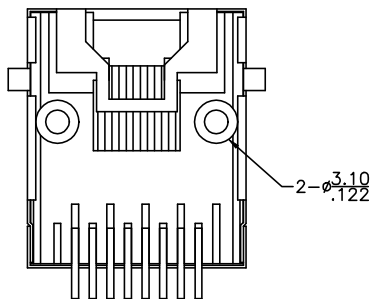
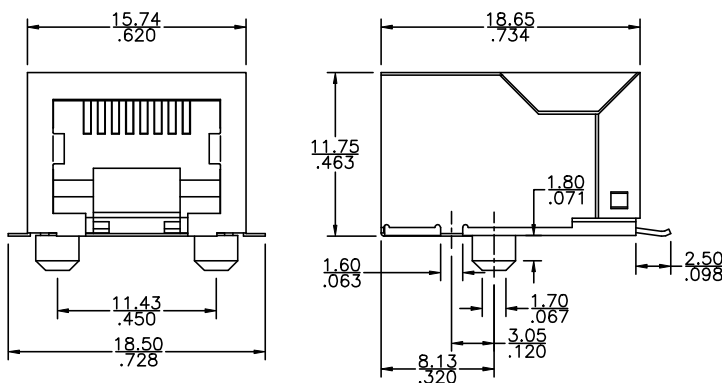
Side Entry S.M.T. Type Modular Jack (Shielded)

3014MS Series

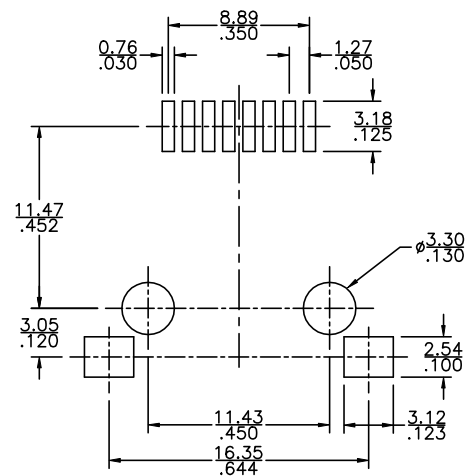


Material and Finish:

- * Housing: Standard Material: Nylon 66, UL94V-0.
Standard Color: Black.
- * Contact: 0.35mm(0.014") Thickness Phosphor Bronze.
Gold Plating over Nickel.
Tin/Lead Plating in Solder Area.
- * Shielded: 0.25mm(0.010") Thickness Copper Alloy.
Plated with Nickel.
- * Cavity conforms to FCC rules and regulations part 68,
subpart F.



P.C.B. Hole Layout



Ordering Information

Series No.	No. of Position	No. of Contact	Keyed	Contact Plating
3014MS	8	8	2	1
	8	2	with key 1	6 μ" 1
	10	4	w/o key 2	15 μ" 2
		6		30 μ" 3
		8		50 μ" 4
		10		