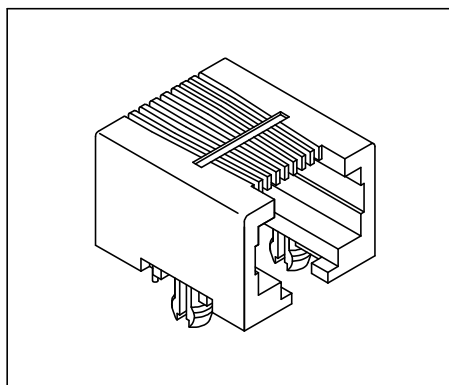


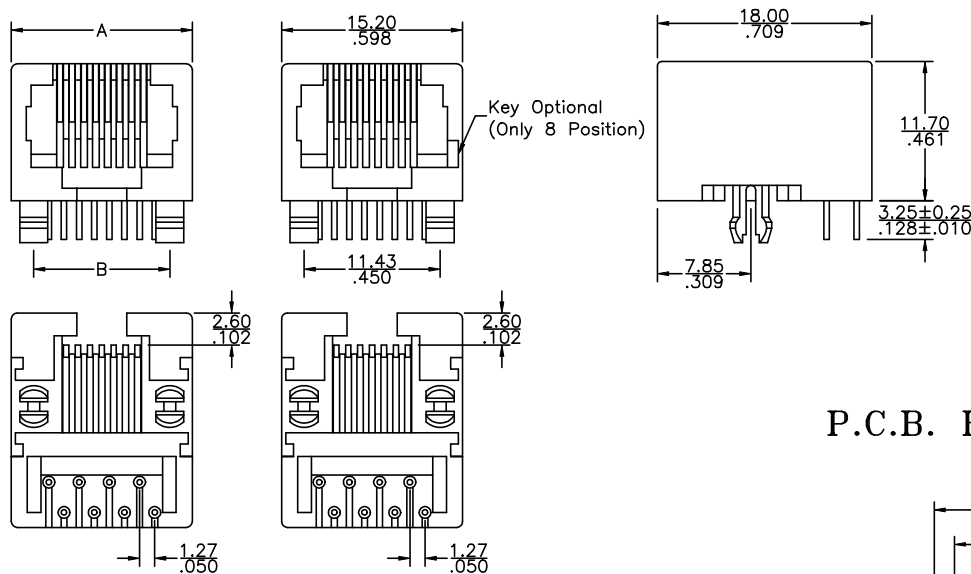
Side Entry Modular Telephone Jack (Low Profile)

3014 Series



Material and Finish:

- * Housing: Standard Material: Glass Filled Polyester UL94V-0.
Standard Color : Black.
- * Contact: 0.45mm(0.018") Diameter Phosphor Bronze.
Gold Plating over Nickel.
- * Cavity conforms to FCC rules and regulations part 68,
subpart F.

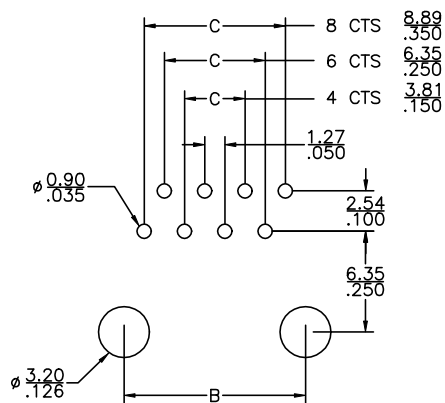


4, 6, 8 Position
w/o Key

8 Position
w/Key

No. of Position	Dimension	
	A	B
4	11.20 .441	7.62 .300
6	13.20 .520	10.16 .400
8	15.24 .600	11.43 .450

P.C.B. Hole Layout



Ordering Information

Series No.	No. of Position	No. of Contact	No. of Key	Contact Plating
3014	8	8	1	1
	4	2	with Key 1	6 μ" 1
	6	4	w/o Key 2	15 μ" 2
	8	6		30 μ" 3
		8		50 μ" 4