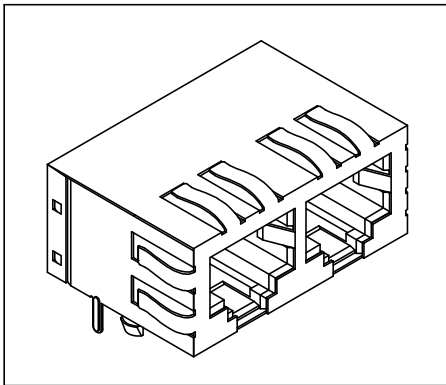


# Side Entry Gang Jack

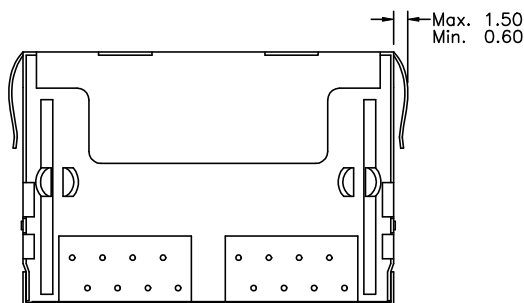
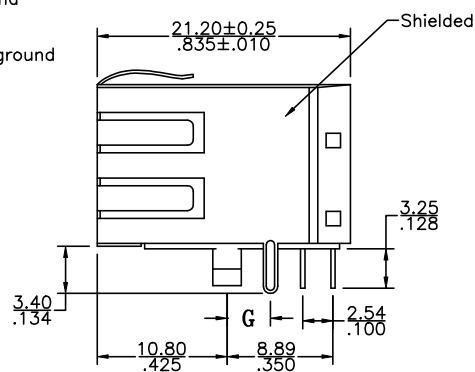
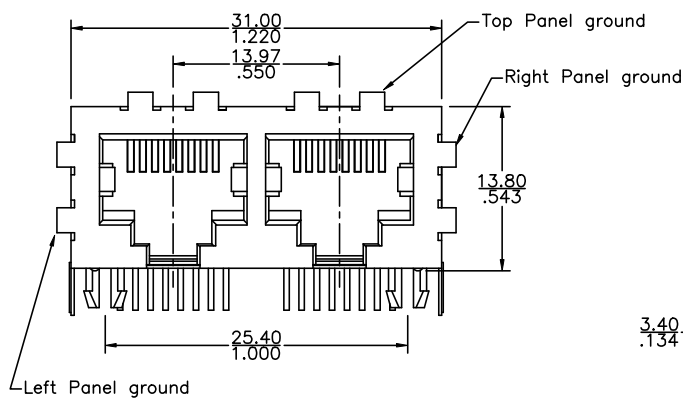
(Low Profile, Shielded, 2 Ports)

3013S2 Series

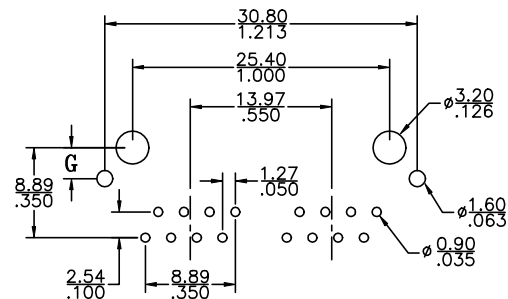


## Material and Finish:

- \* Housing: Standard Material: Glass Filled Polyester UL94V-0.  
Standard Color: Black.
- \* Contact: 0.45mm(0.018") Thickness Phosphor Bronze.  
Gold Plating over Nickel.
- \* Shielded: 0.25mm(0.010") Thickness Copper Alloy,  
Plated with Nickel.
- \* Cavity conforms to FCC rules and regulations part 68,  
subpart F.



## P.C.B. Hole Layout



## Ordering Information

Series No.	No. of Position	No. of Contact	No. of Ports	Contact Plating	Panel Ground Type	No. of Tabs	Shielded Pin Type
3013S2	8	8	02	1	3	0	1
	8	2	02	6μ" 1	Non 0	No Tab 0	G Dimension
		4		15μ" 2	Top & Right & Left 3 Sides 3		3.05mm 1
		6		30μ" 3			3.65mm 2
		8		50μ" 4			

SINGATRON U.S.A. Tel: (909)464-1883 Fax: (909)464-1884 Email: sales@singatron.com