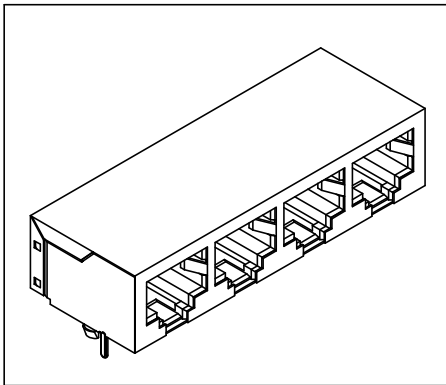


Side Entry Gang Jack

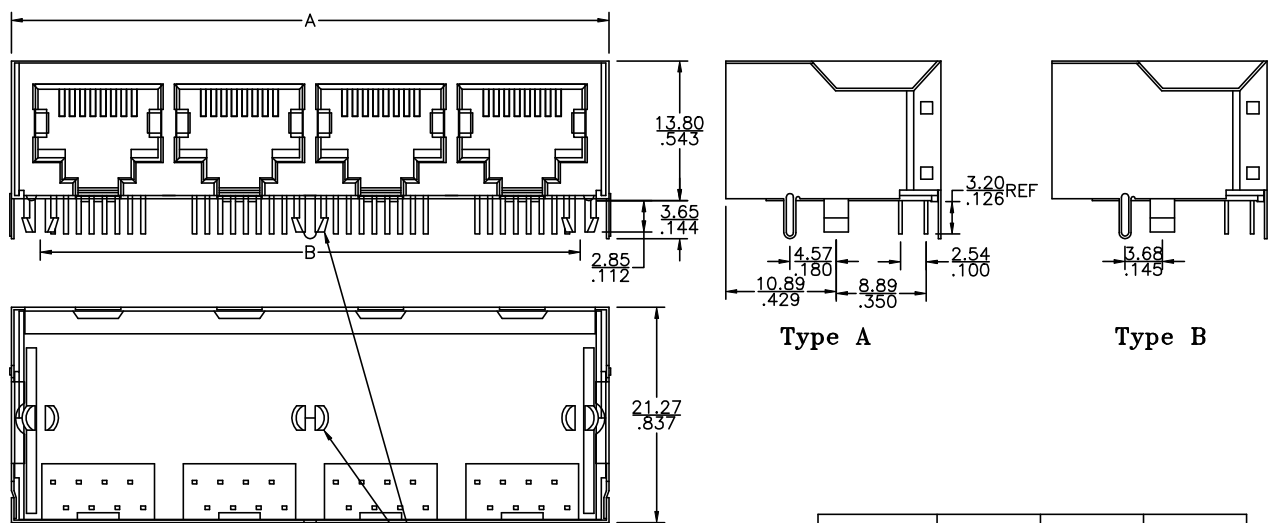
(Low Profile, Shielded, Multiple Ports)

3012S Series

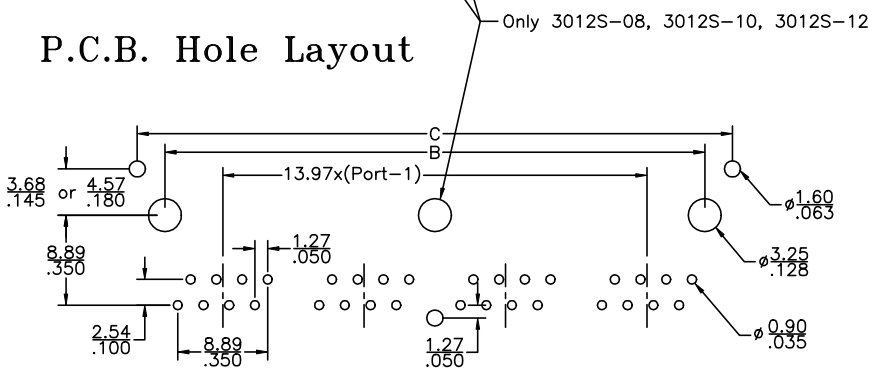


Material and Finish:

- * Housing: Standard Material: Glass Filled Polyester UL94V-0. Standard Color: Black.
- * Contact: 0.35mm(0.014") Thickness Phosphor Bronze. Gold Plating over Nickel.
- * Shielded: 0.25mm(0.010") Thickness Copper Alloy, Plated with Nickel.
- * Cavity conforms to FCC rules and regulations part 68, subpart F.



P.C.B. Hole Layout



Only 3012S-08, 3012S-10, 3012S-12

No. of Ports	A	B	C
2	31.12 1.225	25.40 1.000	30.87 1.215
4	59.06 2.325	53.34 2.100	58.81 2.315
5	73.03 2.875	67.31 2.650	72.78 2.865
6	87.00 3.425	81.28 3.200	86.75 3.415
8	114.94 4.525	109.22 4.300	114.69 4.515
10	142.88 5.625	137.16 5.400	142.63 5.615
12	170.82 6.725	165.10 6.500	170.57 6.715

Ordering Information

Series No.	No. of Position	No. of Contact	No. of Ports	Contact Plating	Shielded Pins Type.
3012S	8	8	02	1	A
	8	2	02 06	6μ" 1	4.57mm A
		4	04 08	15μ" 2	3.68mm B
		6	05 10	30μ" 3	
		8	12	50μ" 4	

SINGATRON U.S.A. Tel: (909)464-1883 Fax: (909)464-1884 Email: sales@singatron.com