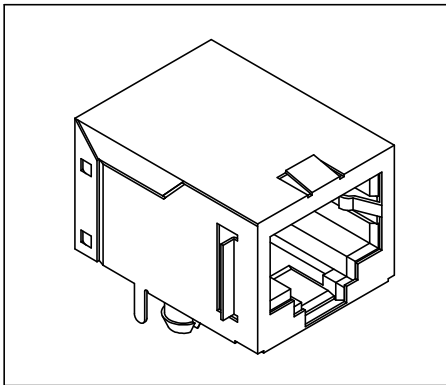


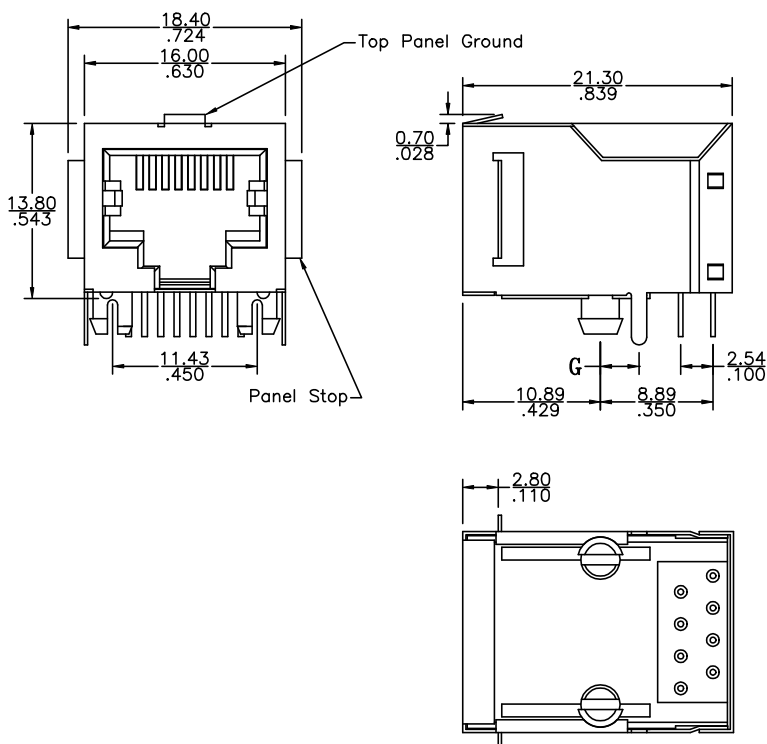
Side Entry Modular Telephone Jack with Panel Stop

3012S3 Series

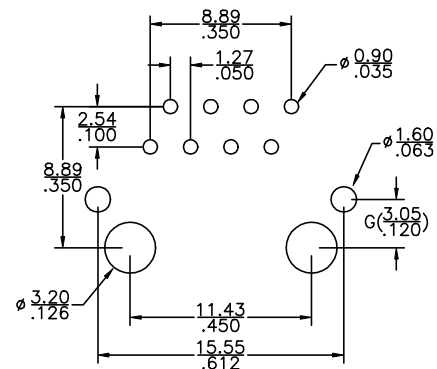


Material and Finish:

- * Housing: Standard Material: Glass Filled Polyester UL94V-0.
Standard Color: Black.
- * Contact: 0.45mm(0.018") Diameter Phosphor Bronze.
Gold Plating over Nickel.
- * Shielded: 0.25mm(0.010") Thickness Copper Alloy,
Plated with Nickel.
- * Cavity conforms to FCC rules and regulations part 68,
subpart F.



P.C.B. Hole Layout



Ordering Information

Series No.	No. of Position	No. of Contact	Contact Plating	Shielded Pins Type	Panel Ground
3012S3	8	8	1	1	1
	8	2	6 μ " 1	G Dimension	with Top Panel Ground
		4	15 μ " 2	3.05mm 1	1
		6	30 μ " 3	3.65mm 2	with Top & Sides Panel Ground
		8	50 μ " 4		2

SINGATRON U.S.A. Tel: (909)464-1883 Fax: (909)464-1884 Email: sales@singatron.com