

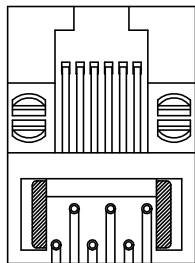
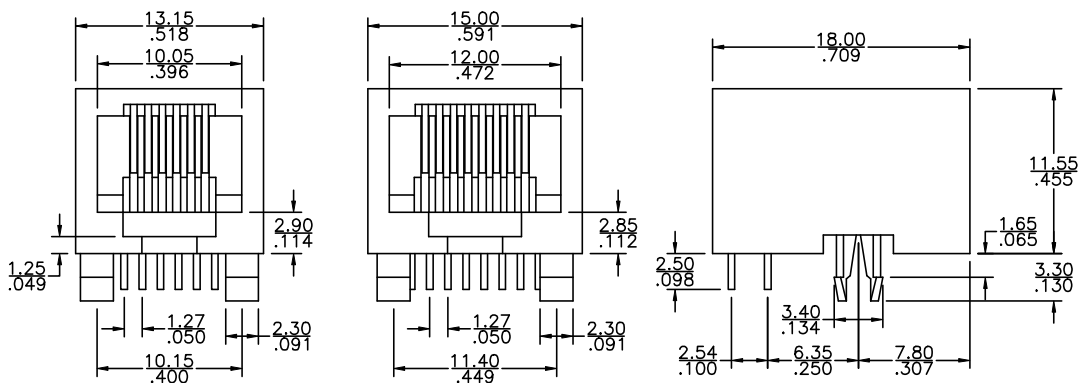
Side Entry Modular Telephone Jack

3010 Series

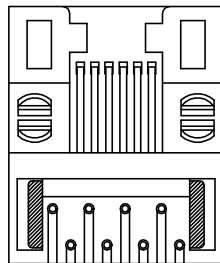


Material and Finish:

- * Housing: Standard Material: Glass Filled Polyester UL94V-0.
Standard Color : Black.
- * Contact: 0.45mm Diameter Round Phosphor Bronze.
Gold Plating over Nickel.
- * Cavity conforms to FCC rules and regulations part 68,
subpart F.

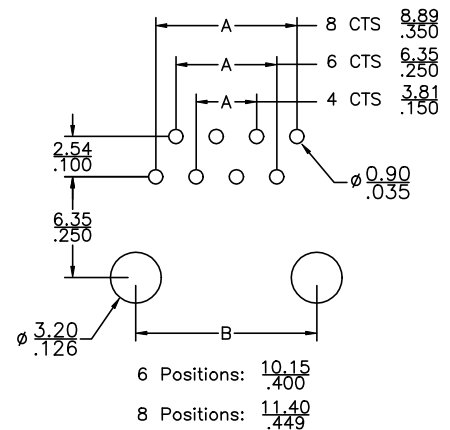


6 Positions



8 Positions

P.C.B. Hole Layout



Ordering Information

Series No.	No. of Position	No. of Contact	Keyed	Contact Plating
3010	6	6	2	1
	6	2	w/o key	6 μ "
	8	4		15 μ "
		6		30 μ "
		8		50 μ "