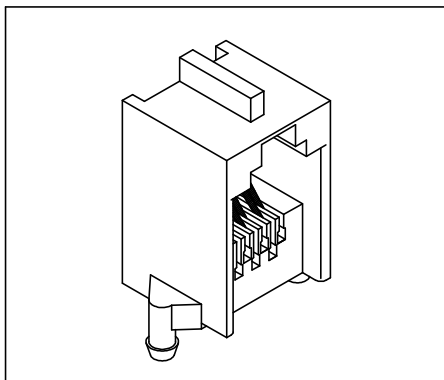


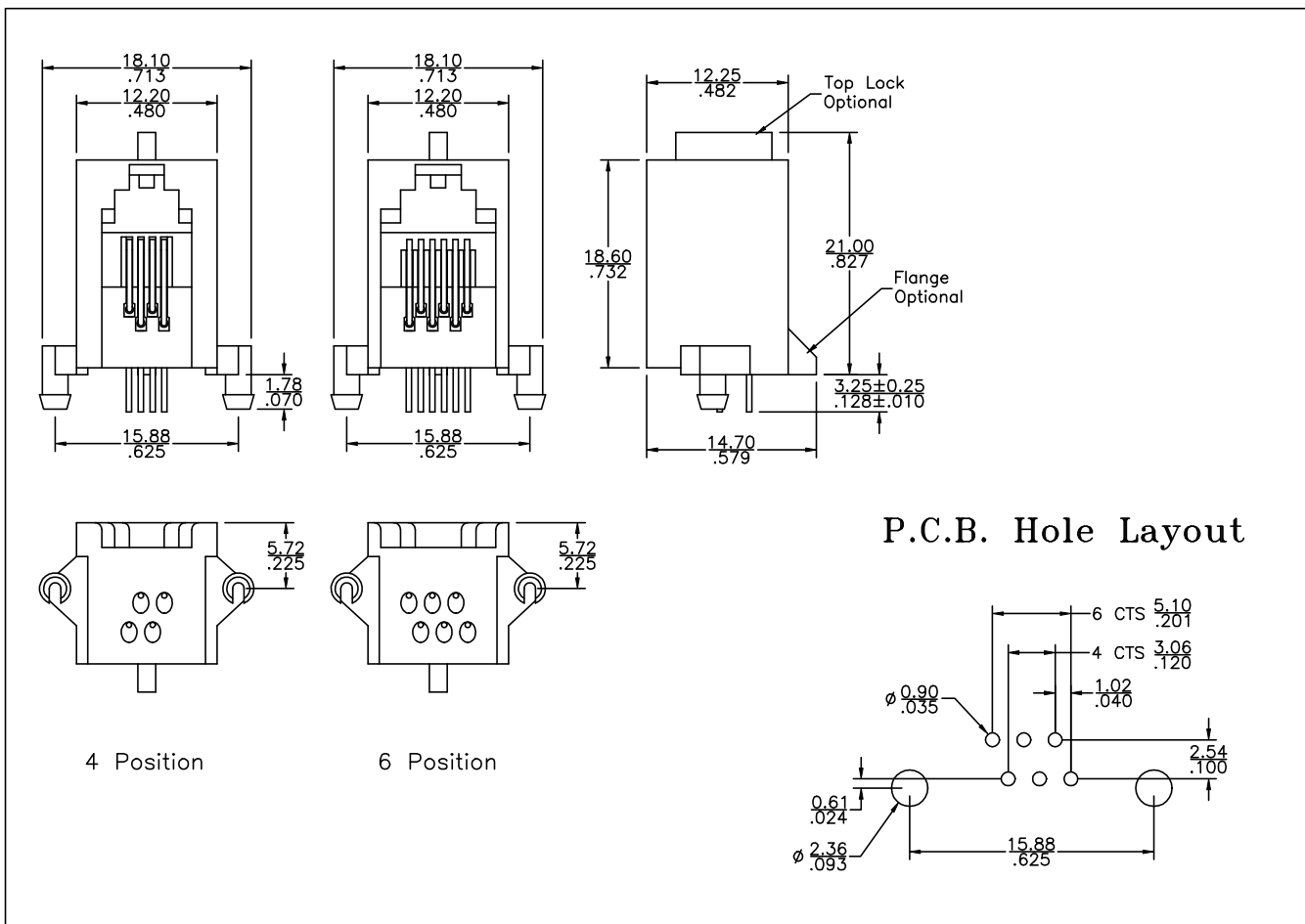
Side Entry Modular Telephone Jack

3004 Series



Material and Finish:

- * Housing: Standard Material: Glass Filled Polyester UL94V-0.
Standard Color : Gray.
- * Contact: 0.45mm(0.018") Diameter Phosphor Bronze.
Gold Plating over Nickel.
- * Cavity conforms to FCC rules and regulations part 68,
subpart F.



Ordering Information

Series No.	No. of Position	No. of Contact	Contact Plating	Top Lock	Flange
3004	6	6	1	1	1
	4	2	6 μ" 1	With Top Lock	With Flange
	6	4	15 μ" 2	1	1
		6	30 μ" 3	w/o Top Lock	w/o Flange
			50 μ" 4	2	2

SINGATRON U.S.A. Tel: (909)464-1883 Fax: (909)464-1884 Email: sales@singatron.com