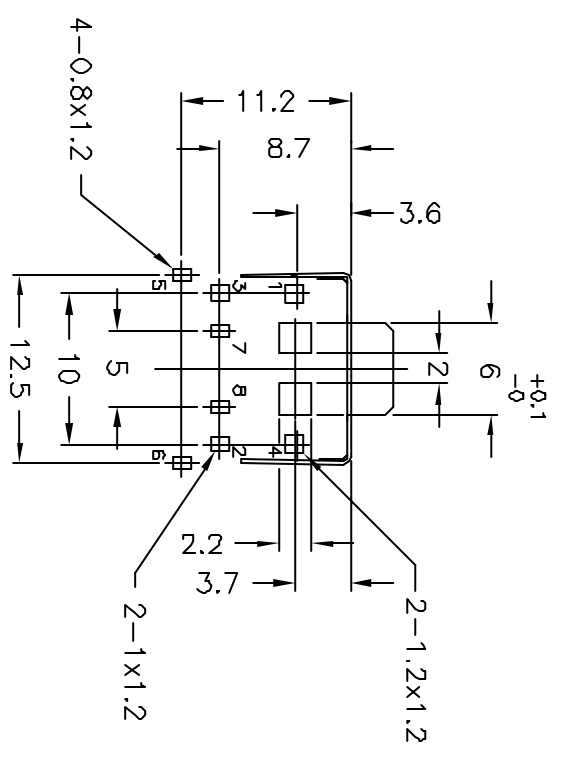
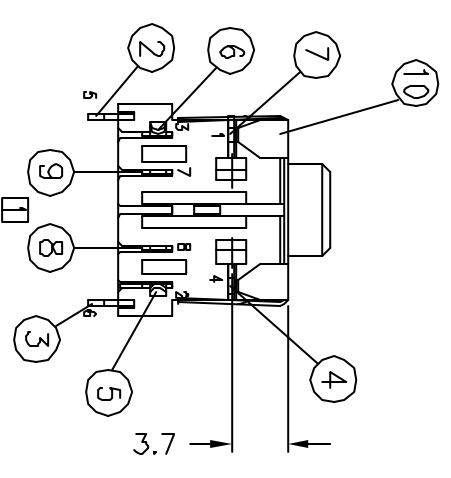
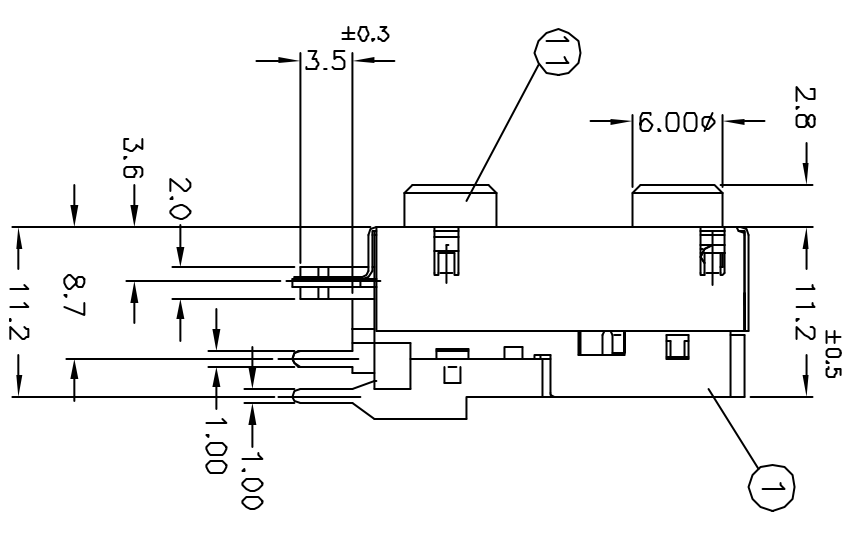
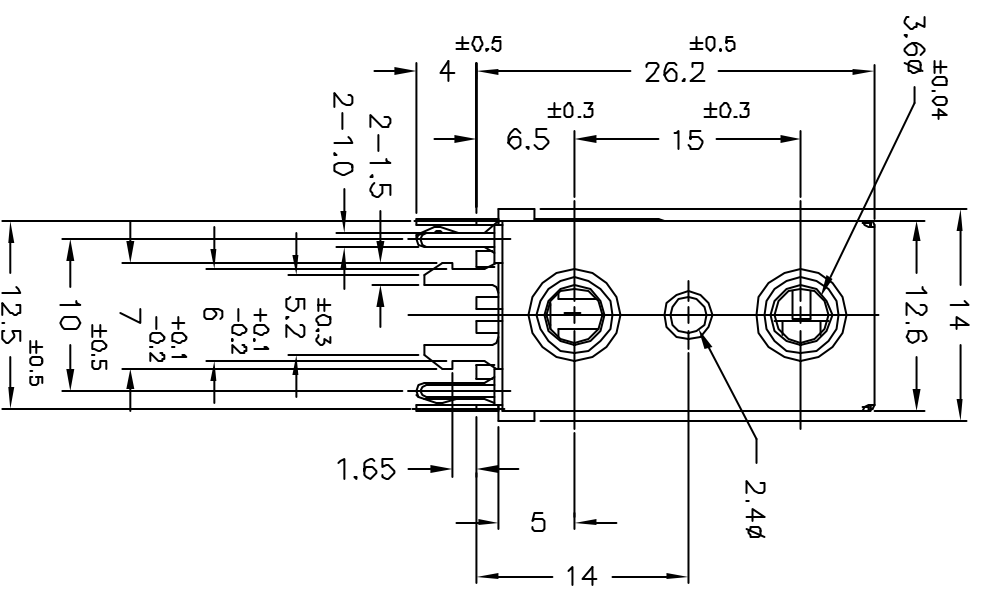
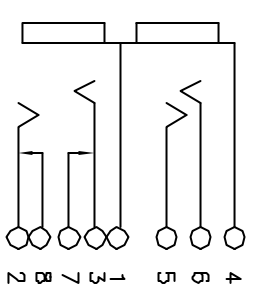


REV.	ECON NO OR DESCRIPTION	REVISED	DATE
D	<input type="checkbox"/> PART NUMBER CHANGE <input type="checkbox"/> VS <input type="checkbox"/> ⑧	EVEN	2/15-03

REMARK:
 1. SPECIFICATIONS: SEE "SPEC. OF 2SJ-0531 SERIES."
 2. MARKING: MARK "S" ON TOP OF CONNECTOR.



PCB LAYOUT
 BOTTOM VIEW
 PCB THICKNESS t=1.6
 (TOLERANCE: ±0.05)

NO	DESCRIPTION	QTY	MATERIAL	PLATING & COLOR
11	METAL	2	BRASS	NICKEL PLATING
10	SHIELDING PLATE	1	BRASS 0.2t	TIN ALLOY PLATING ON SOLDER TAILS, ALL OVER NICKEL PLATING
9	SHUNT TERMINAL B	1	BRASS 0.4t	SILVER PLATING
8	SHUNT TERMINAL A	1	BRASS 0.3t	SILVER PLATING
7	EARTH B	1	COPPER ALLOY 0.3t	SILVER PLATING
6	RING SPRING B	1	COPPER ALLOY 0.25t	SILVER PLATING
5	TIP SPRING B	1	COPPER ALLOY 0.35t	SILVER PLATING
4	EARTH A	1	COPPER ALLOY 0.4t	SILVER PLATING
3	RING SPRING A	1	COPPER ALLOY 0.3t	SILVER PLATING
2	TIP SPRING A	1	COPPER ALLOY 0.3t	SILVER PLATING
1	BODY	1	PBT UL 94V-0	BLACK COLOR

UNLESS OTHERWISE SPECIFIED TOLERANCES

DECIMALS:	ANGLES:
X : ±0.3	X : ±2°
X.X : ±0.2	X.X : ±1°
X.XX : ±0.1	

Singatron Enterprise Co., Ltd.
 信音企業股份有限公司

TITLE	3.5mm STEREO PHONE JACK
DWN	BEN 2/15-03
CHKD	SM 2/17-03
APVD	MX 2/17-03

PART NO. 3SJ-S5311N23
 SCALE: 2/1
 SIZE: A3
 SHEET: 1 OF 1
 REV: D

Form: 1