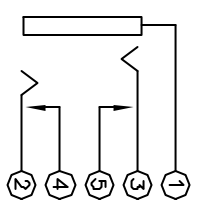
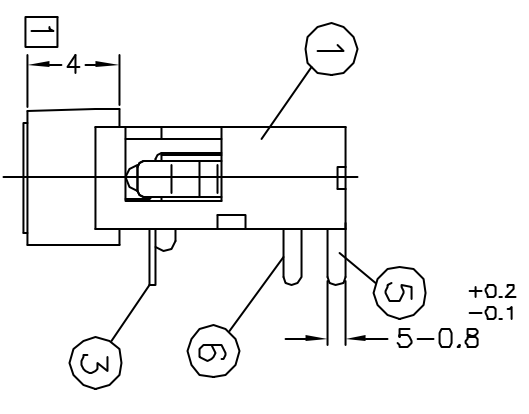
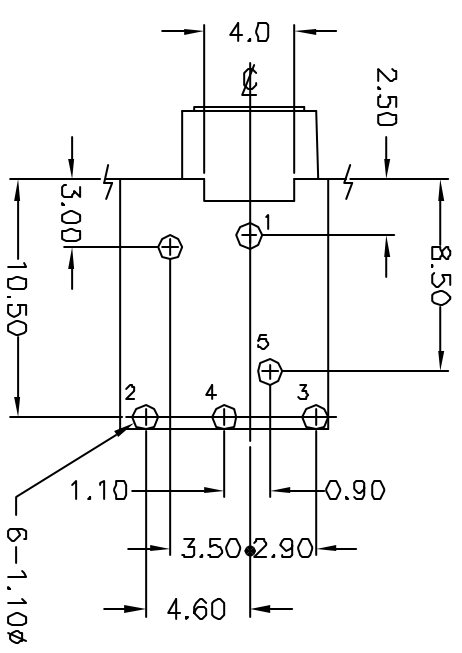
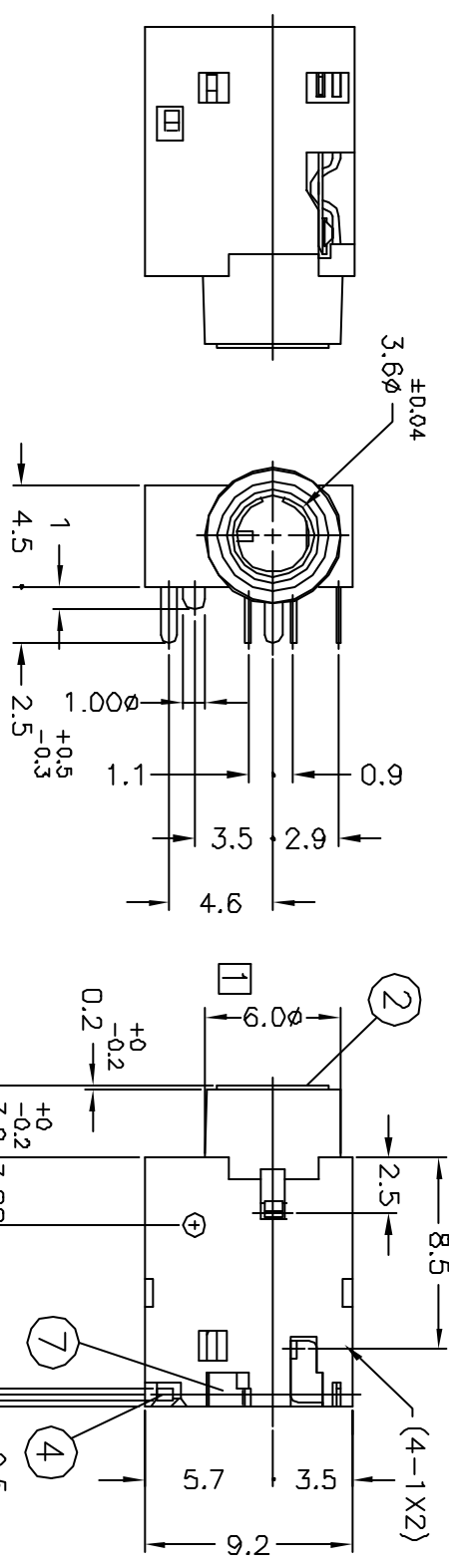


REV.	ECN NO OR DESCRIPTION	REVISED	DATE
G	增加尺寸 1	EVEN	11/20-03



ELECTRICAL CIRCUIT

- SPECIFICATIONS :
- INSULATION RESISTANCE BETWEEN ANY ADJACENT OPEN CIRCUIT TERMINAL SHELL NOT BE LESS THAN 100MΩ MEASURED BY 500 VDC MEGGER.
  - CONTACT RESISTANCE : 30mΩ MAX.
  - INSULATION VOLTAGE WITHSTAND : 500V AC FOR ONE MINUTE.
  - UNLESS OTHERWISE SPECIFIED. TEST IS TO BE MADE AT 5-35°C IN TEMPERATURE AND 45-85% IN HUMIDITY. BUT,IF ANY VAGUE DATA IS OCCURED ON TEST RESULT, ANOTHER TEST SHALL BE MADE AT 20°C±2°C IN TEMP., 60-70% IN HUMIDITY.
  - LIFE TEST : 5,000 CYCLES MIN. (NON-LOAD)
  - INSERTION FORCE : 0.4 ~ 3Kg.
  - WITHDRAWAL FORCE : 0.3 ~ 2Kg.
  - AFTER LIFE TEST, CONTACT RESISTANCE : 50mΩ MAX.
  - AFTER HUMIDITY TEST, INSULATION RESISTANCE : 50MΩ MIN.



RECOMMENDED PCB LAYOUT  
SOLDER SIDE

NO	DESCRIPTION	QTY	MATERIAL	PLATING & COLOR
1	BODY	1	NYLON-66 UL 94-HB	BLACK COLOR
2	METAL	1	BRASS	NICKEL PLATING
3	EARTH	1	COPPER ALLOY 0.2t	SILVER PLATING
4	TIP SPRING	1	COPPER ALLOY 0.5t	SILVER PLATING
5	RING SPRING	1	COPPER ALLOY 0.3t	SILVER PLATING
6	SHUNT TERMINAL-A	1	BRASS 0.2t	SILVER PLATING
7	SHUNT TERMINAL-B	1	BRASS 0.3t	SILVER PLATING

UNLESS OTHERWISE SPECIFIED TOLERANCES

DECIMALS:	ANGLES:
X : ±0.3	X : ±2°
X.X : ±0.2	X.X : ±1°
X.XX : ±0.1	

TITLE	3.5Φ PHONE JACK
DWN	ENH 11/20-03
CHKD	SN 11/20-03
APVD	ANREW 11/20-03
PART NO.	2SJ-08001N23
SCALE:	3/1
UNIT:	MM
SIZE:	A3
SHEET:	1 OF 1
REV:	G

Singatron Enterprise Co., Ltd.  
信音企業股份有限公司