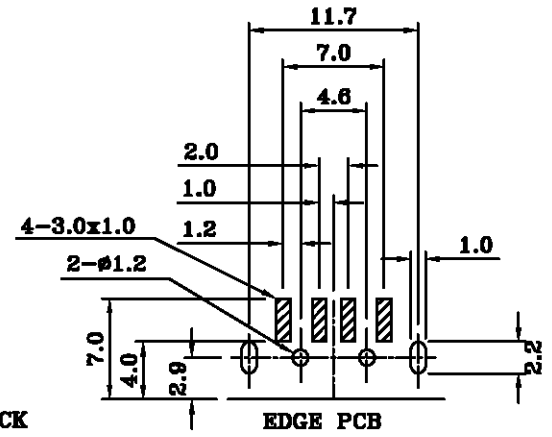
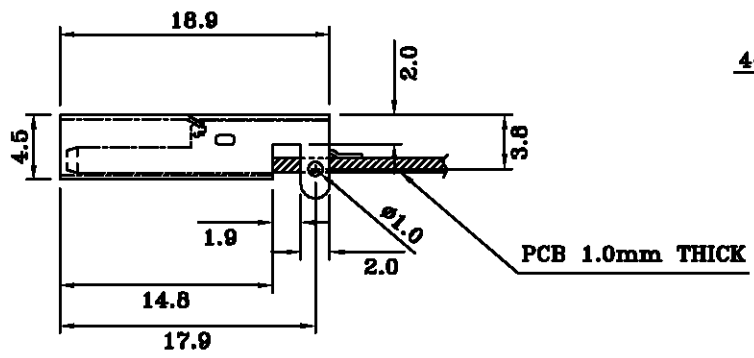
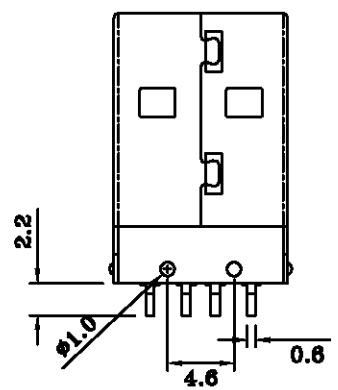
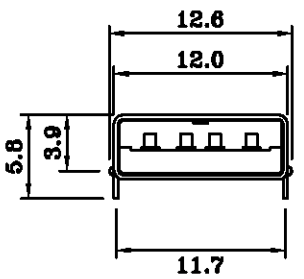
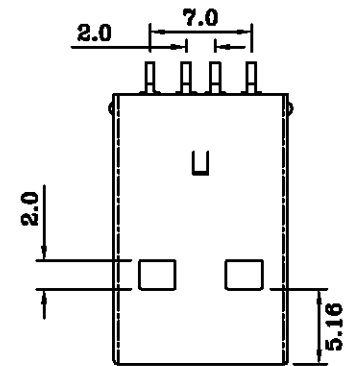


1 2 3 4 5 6 7 8

REV	ZONE	REVISION	DATE



EDGE PCB
COMPONENT SIDE
(PCB LAYOUT)

NO.	NAME	MATERIAL	FINISH	REMARK	Q'TY
1	HOUSING	NYLON PA9T G.F.	WHITE		1
2	PIN TERM.	BRASS EH T:0.25 mm	GOLD/TIN PLATED	NI:1~1.5u; TIN:3u. GOLD:1~3u	4
3	SHELL	BRASS T:0.3 mm	NICKEL PLATED	NI:2~3u	1

SINGATRON ENTERPRISE CO., LTD.(U.S.A.)

COMPUTER NO.			UNIT	SCALE	PART NAME	
D:\DWG\2KS-001MSANW			mm	2:1	USB. TYPE A PLUG FLAT90° SMT	
APPD.	CKD.	DWG.	DATE	TOLERANCE	PART NO.	REV.

MODEL 2KS-001MSANW PAGE 1 OF 1

		TINA	11-04-02	±0.3		A
--	--	------	----------	------	--	---

1 2 3 4 5 6 7 8