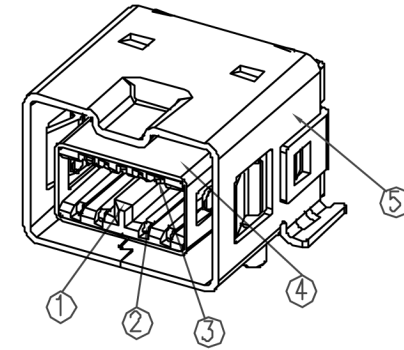
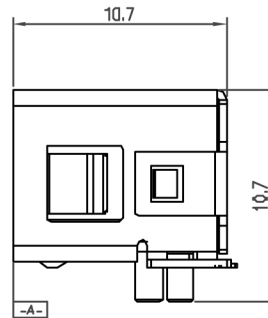
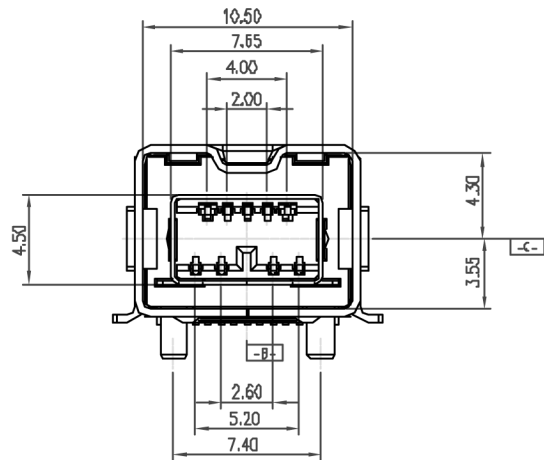
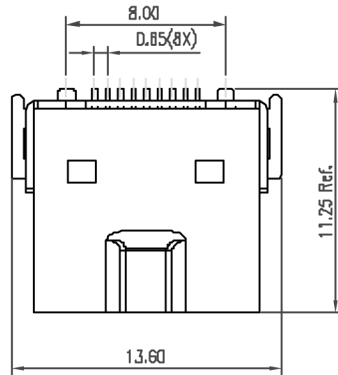


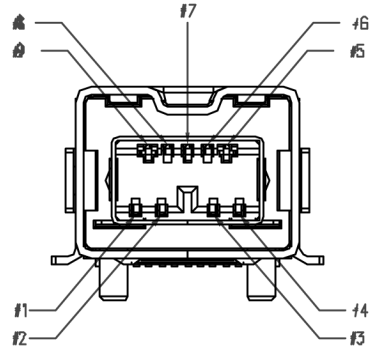
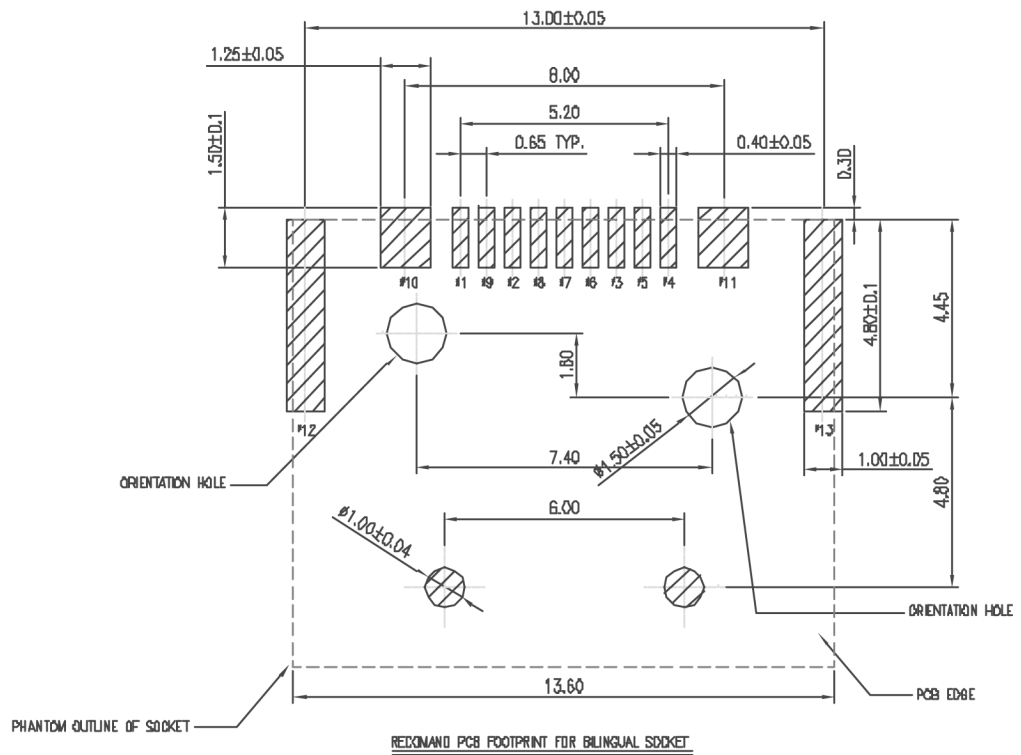
1**2****3****4****5****6****7****8**

REV.	EC#	DESCRIPTION	DATE	DRAWN	CHECKED	APPROVED
A	SZEOR-03029	NEW RELEASE	07/21/03'	FLYING	~	TON



5	OUTER SHELL	1	S-FLR40-18X00	COPPER ALLOY/TIN COPPER
4	INNER SHELL	1	S-FLR40-28X00	COPPER ALLOY/TIN COPPER
3	TYPE 1 CONTACT	5	T-FLR40-10500	COPPER ALLOY/GOLD
2	TYPE 2 CONTACT	4	T-FLR40-20500	COPPER ALLOY/GOLD
1	HOUSING	1	H-FLR40-18K10	PA-6T, UL 94V-0 RATED
ITEM	NAME	QTY	PART#	MATERIAL / FINISH
FILES/SPACE/VALUES		DATE	SINGATRON (U.S.A.)	
GENERAL	FLYING	07/21/03'		
DESIGN	PETER	09/11/01'		
APPROVED	~			
SCALE	4 : 1	APPROVED	DATE	FILE
SHEET	1 OF 2	TON	07/22/03'	H-EEE 1394b BILINGUAL RECEPTACLE CUSTOMER DRAWING
LINE				REV. A3
CUSTOMER DRAWING				REV. A

This document and information contained herein are the property of Advanced Connectak Inc., copies are issued in strict confidence and shall not be reproduced or copied, or used as the basis of manufacture or sale of apparatus without permission.



- NOTES :
- 1.0. RATING :
 - 1.1. VOLTAGE : 30 VAC (R.M.S.)
 - 1.2. CURRENT : 1.5 AMPERE MAXIMUM
 - 2.0. ELECTRICAL CHARACTERISTIC :
REFER TO PRODUCT SPEC. (CSP-FLW10-00-00)
 - 3.0. MATERIALS : (SEE TABLE B)
 - 4.0. FINISHES : (SEE TABLE B)
 - 5.0. OTHERS :
 - 5.1. PRODUCT SPECIFICATION : (CSP-FLW10-00-00)
 - 5.2. PRODUCT NUMBERING CODE : (SEE TABLE A)

TABLE A : PRODUCT NUMBERING CODE

2	FLR40	-	9	K	5	*	1	0
			1	2	3	4	5	6

1. CONNECTOR STYLE:
2FLR40 : IEEE-1394b BILINGUAL SOCKET.
RIGHT ANGLE, SMT TYPE WITH BACK SHELL
 2. NO. OF CONTACTS:
9 : 9 POSITIONS.
 3. COLOR OF HOUSING:
K : BLACK
 4. PLATING THICKNESS IN CONTACT MATING AREA:
5 : 30U" Au Lead Free
 5. PLATING OF SHELL AND MARK CHANGES:
A : Tin Copper Plated.
- B. PACKING STYLE
0 : PVC TRAY

FILED/ISSUED/REVISED/DATE	BY/APP/CHK	DATE	SINGATRON (U.S.A.)
GENERAL: JL 44-20	FLYING	07/21/03'	
AMILES: XL 34-01	PETER	09/11/01'	FILE: I-EEE 1394b BILINGUAL RECEPTACLE CUSTOMER DRAWING
SHEET 2 OF 2	TON	07/22/03'	
LINE: 07101	CUSTOMER DRAWING		REV: A3
			REV: A

This document and information contained herein are the property of Advanced Connectak Inc., copies are issued in strict confidence and shall not be reproduced or copied, or used as the basis of manufacture or sale of apparatus without permission

A
B
C
D
E
F