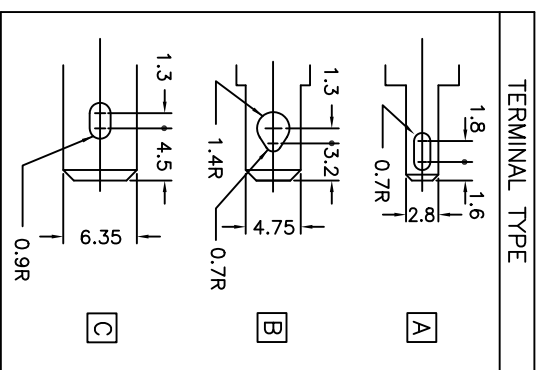
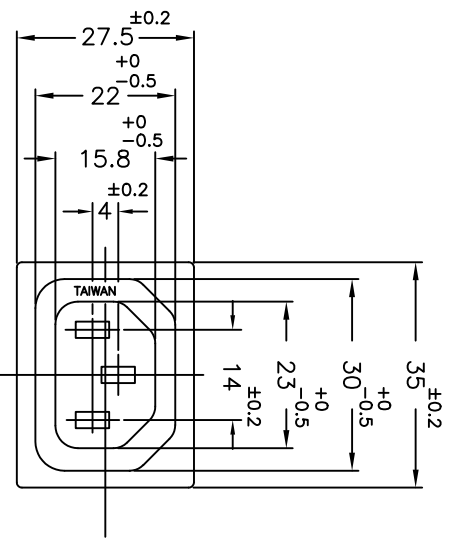
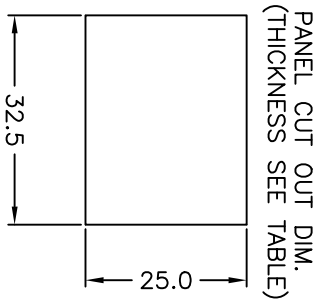
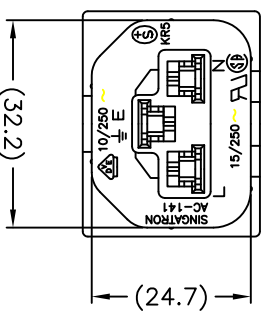
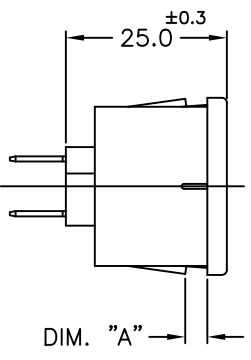
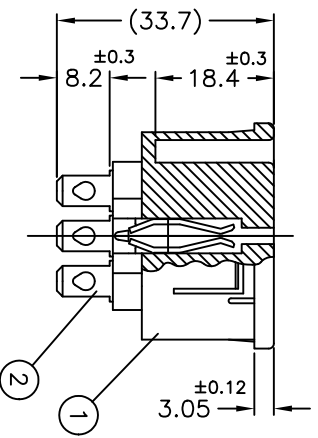


ORDERING CODE:  
2AC-141□□40



PART NUMBER	PANEL THICKNESS	DIM "A"
30	3.0	3.16
25	2.5	2.65
23	2.3	2.44
20	2.0	2.14
18	1.8	1.94
15	1.5	1.63
13	1.3	1.43
10	1.0	1.12



SPECIFICATIONS:

1. MATERIAL AND FINISH: CONTACTS: BRASS STRIP, PLATED SN/PB(90%/10%) OVER CU. BODY: MOLDED PLASTIC, POLYCARBONATE UL 94V-0

2. ELECTRICAL: CONTACT RESISTANCE: 30 MILLIOHMS MAX. DIELECTRIC WITHSTANDING VOLTAGE: 2,000V R.M.S. LEAKAGE RESISTANCE: 5,000 MEGOHMS MIN.

3. MECHANICAL: LIFE: 5,000 CYCLES MIN. INSERTION FORCE: 6 KG MAX. WITHDRAWAL FORCE: 1.5 KG MIN.

4. SAFETY APPROVED: 15A 250V: CSA, UL. 10A 250V: VDE, SEMKO, DEMKO, SETI, NEMKO, SEV.

LTR	PART NAME	QTY	MATERIAL & SPEC
2	CONTACT	3	BRASS 0.8t TIN ALLOY PLATING
1	INSULATOR	1	POLYCARBONATE BLACK COLOR

Singatron Enterprise Co., Ltd.  
信晉企業股份有限公司

3P AC RECEPTACLE			
TITLE	UNIT:	CAD NO.	SCALE:
DWN	MM		1/1
CHKD			
APPVD	B4		
DWG NO.		AC-141	
NEW NO.		2AC-141□□□40	