

2.54mm × 7.87mm(0.1"×0.31") Female Header

(Double Row 30, 40 Contacts)

Side Entry Type

2905 Series

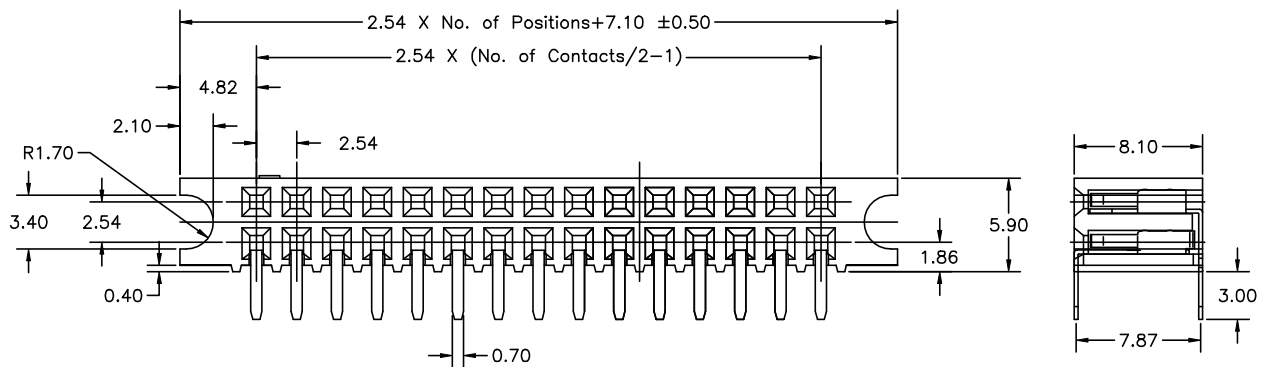
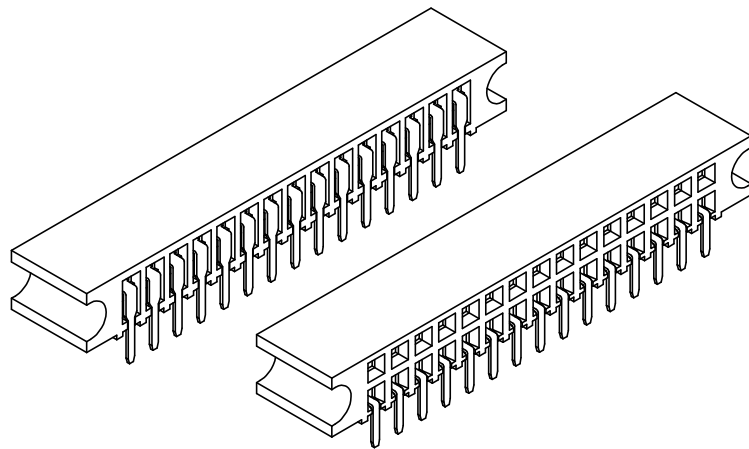
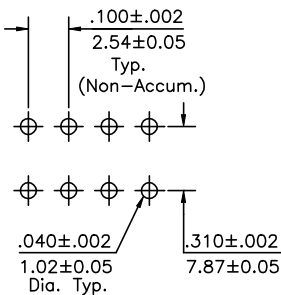
APPLICATION AND FEATURES

1. High reliable dual-beam phosphor bronze contact.
2. Designed for right-angle P.C.Board mounting.
3. Pin stop to prevent shorting circuits between rows.
4. Mates with P.C.Board connectors such as 2901 & 2903 series.

SPECIFICATIONS

Current Rating: 3 Amps
 Insulator resistance: 5000 Megohms min.
 Contact resistance: 20 Megohms Max.
 Dielectric withstanding: AC 500 V
 Operating Temperature: -40° to +105°C
 Contact Material: Phosphor bronze
 Insulator Material: Polyester, UL 94V-0
 ©Standard: P.B.T

Recommended P.C.Board
Hole Layout



Order Information 2905 Series

Example: 2905 - 30 - R - 02

Series No.	Number of Contacts	Connector Type	Contact Plating
2905	30,40	Right Angle R	Tin Plated 01
			Gold Plated
			Flash 02
			10 μ" 10
			30 μ" 30