

2.54mm (0.1") Pin Header

(Dual Body, Straight)

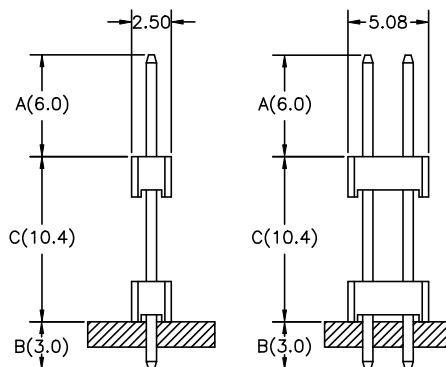
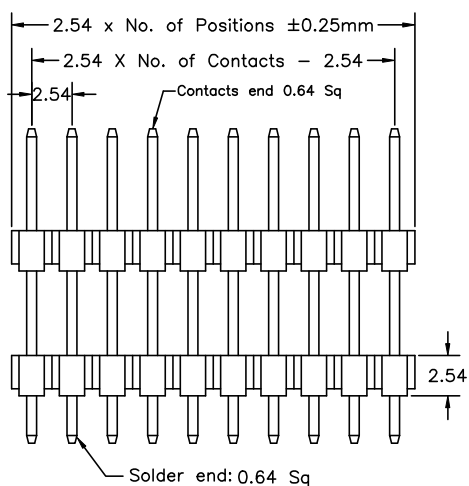
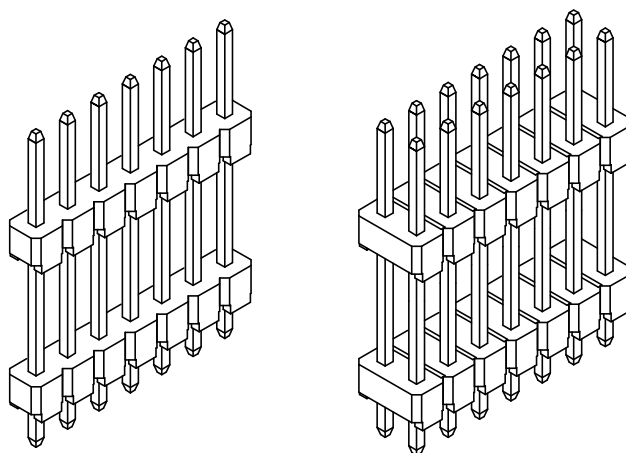
2204X Series

APPLICATION AND FEATURES

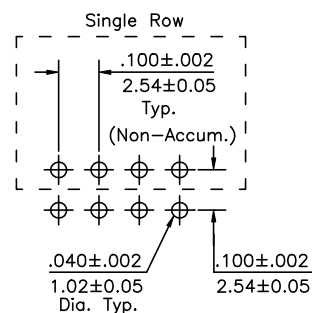
1. Side and end stackable (on unbroken edges).
2. Notches for easy breakable.
3. Maintains the dimension between two P.C.Boards.
4. Variable pin length, gold or tin plated.
5. Standoffs facilitate post soldering clean.

SPECIFICATIONS

Current Rating: 3 Amps
 Insulator resistance: 5000 Megohms min.
 Dielectric withstanding: AC 500 V
 Operating Temperature: -40° to +105°C
 Contact Material: Brass
 Insulator Material: Polyester, UL 94V-0
 ©Standard: P.B.T



Recommended P.C.Board Hole Layout



Order Information 2204 Series

Example: 2204D-34-S-02-A/C/B

Series No.	Number of Contacts	Connector Type		Contact Plating		Pin Length mm		
		Straight	S	Tin Plated	01	A	C	B
2204D	02 to 80 Contacts			Gold Plated		6.0	10.4	3.0
2204S (Single Row)	02 to 40 Contacts			Flash	02			
2204D (Dual Row)	04 to 80 Contacts			10 μ"	10			
				30 μ"	30			