

# 2.54mm (0.1") Pin Header

(Triple Row)

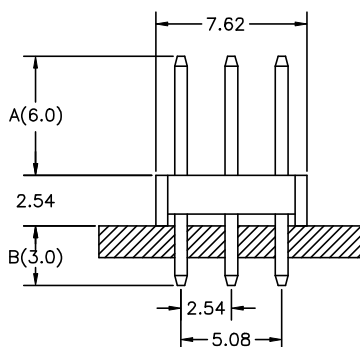
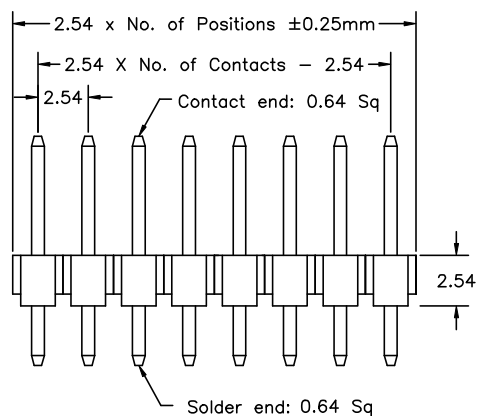
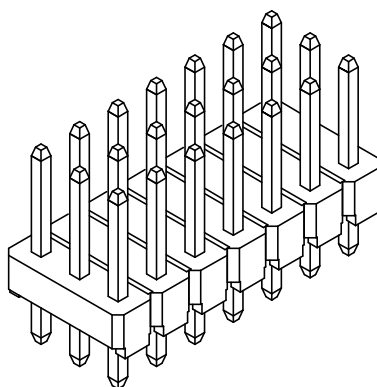
## 2203 Series

### APPLICATION AND FEATURES

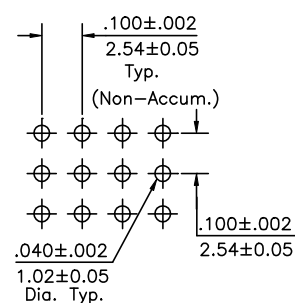
1. Side and end stackable (on unbroken edges).
2. Notches for easy breakable.
3. Variable pin length, gold or tin plated.
4. Standoffs facilitate post soldering clean.

### SPECIFICATIONS

Current Rating: 3 Amps  
 Insulator resistance: 5000 Megohms min.  
 Dielectric withstanding: AC 500 V  
 Operating Temperature: -40° to +105°C  
 Contact Material: Brass  
 Insulator Material: Polyester, UL 94V-0  
 ©Standard: P.B.T



Recommended P.C.Board Hole Layout



### Order Information 2203 Series

Example: 2203 - 20 - S - 02 - A/B

Series No.	Number of Contacts	Connector Type	Contact Plating	Pin Length mm
2203	09 to 120 Contacts	Straight S	Tin Plated 01	A B
			Gold Plated	6.0 3.0
			Flash 02	
			10 μ" 10	
			30 μ" 30	