

1.27mm × 1.27mm (0.05" × 0.05") SMD Pin Header Box Type

Dual Row 10 to 100 Contacts

0.4mm (0.0157") Square Post

0153 Series

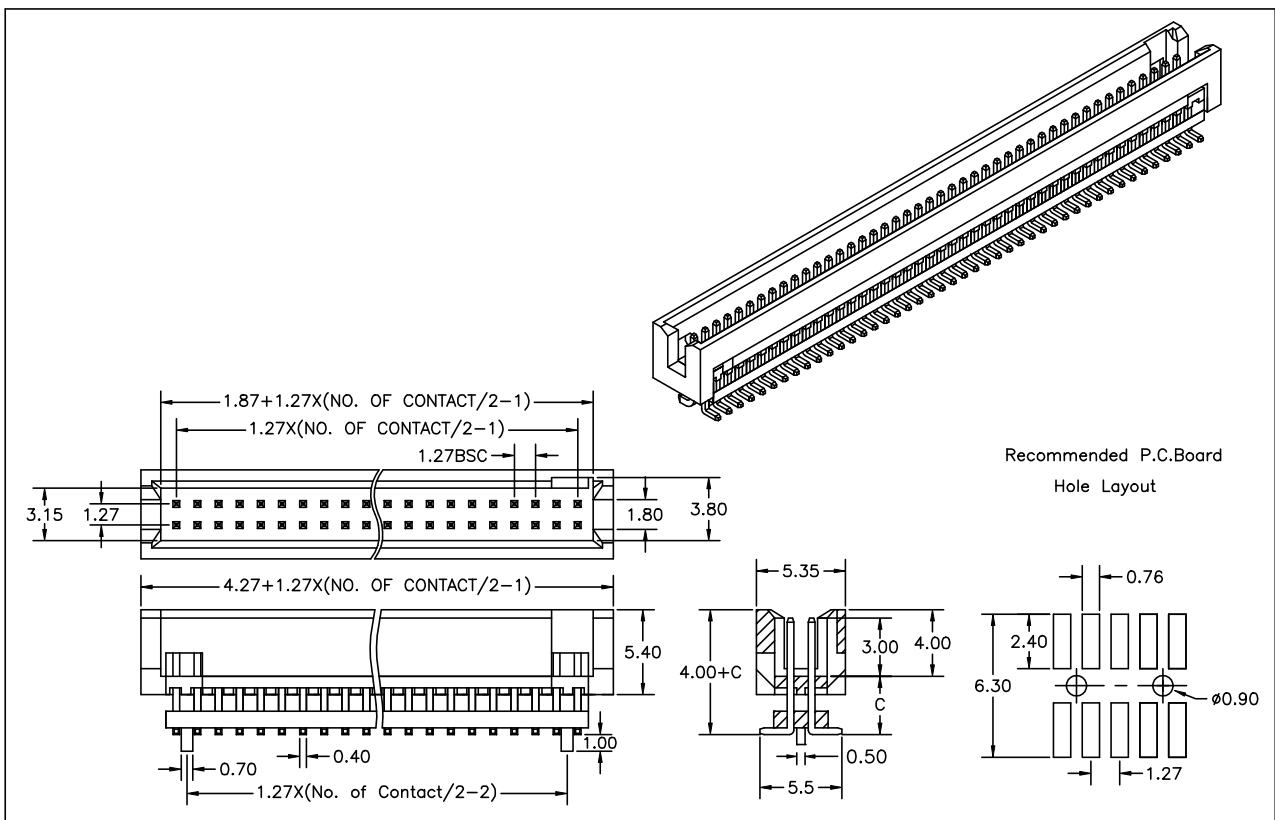
APPLICATION AND FEATURES

1. Side stackable (on unbroken edges).
2. Variable pin length, gold or tin plated.
3. Standoffs facilitate post solder cleaning.
4. Mates with P.C.Board connectors such as 0057D & 0156 series.

SPECIFICATIONS

Current Rating: 1 Amp
 Insulator resistance: 5000 Megohms min.
 Dielectric withstanding: AC 500 V
 Operating Temperature: -40° to +105°C
 Max Processing Temp: 230° for 30~60 seconds
 (260° for 10 seconds)

Contact Material: Phosphor bronze
 Insulator Material: Polyester, UL 94V-0
 © Standard: Nylon-6T



Order Information 0153 Series

Example: 0153 - 50 - 02 - C

| Series No. | Number of Contacts | Contact Plating | Pin Length mm |
|--|--|---|--|
| 0153 | 10 to 100 Contacts | Tin Plated 01 | C |
| | | Gold Plated | 3.5 |
| | | Flash 02 | 10.0 |
| | | 10 μ" 10 | |
| | | 30 μ" 30 | |